



RHINO-RACK®

INEOS GRENADIER Roof Bar Kit

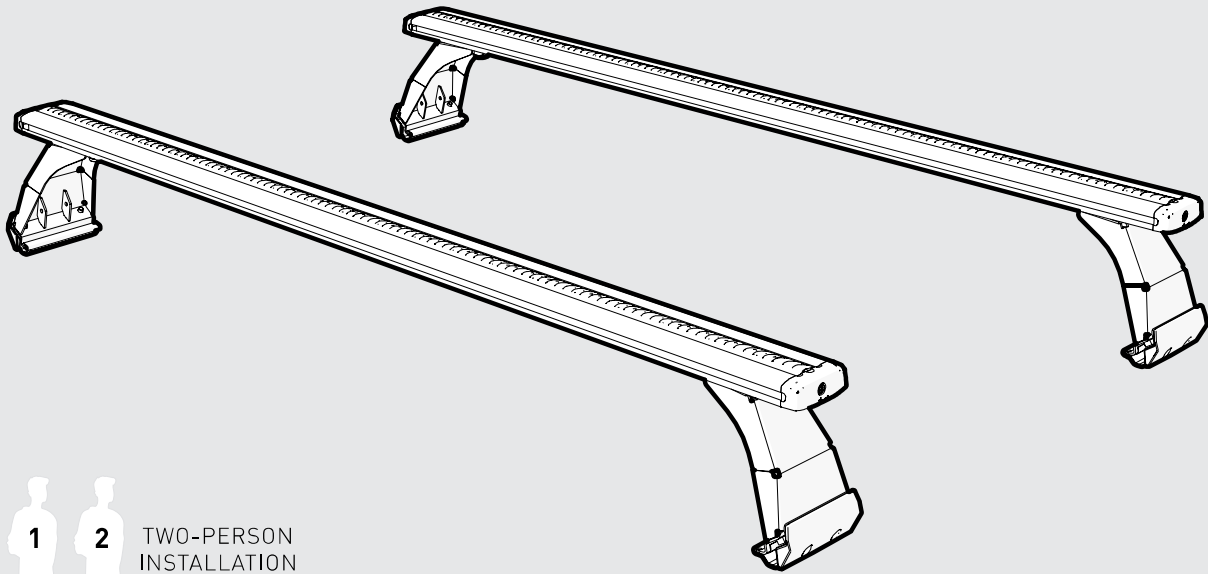
GRA-0A02-032480

Important:

1. Please refer to your fitting instruction to ensure that the roof racks are installed in the correct locations.
2. Check the contents of kit before commencing fitment and report any discrepancies.
3. Place these instructions in the vehicle's glove box after installation is complete.
4. These instructions must be followed for warranty to be upheld.

Fit Time: 1 hour

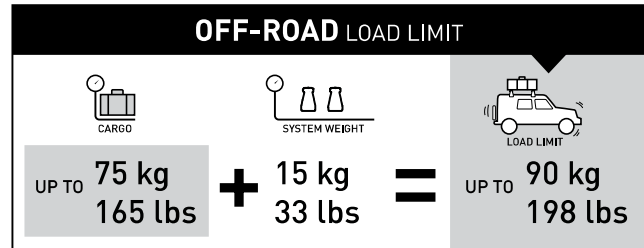
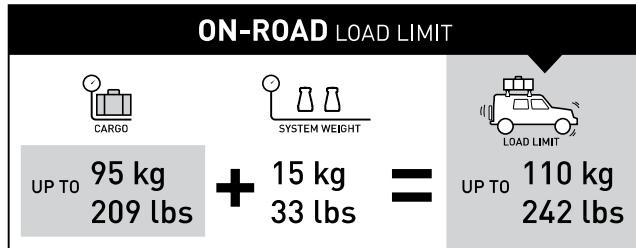
INEOS | GRENADIER



TWO-PERSON
INSTALLATION

Carrying Capacity

Check your vehicle owners hand book for vehicle maximum carrying capacity. Please ensure roof system weight does not surpass your vehicle manufacturers maximum roof allowance. Load must be evenly distributed over the system.



Warning

- Check part number or kit is correct for use with your vehicle.
- Do not attempt to fit the rack system to your vehicle unless you fully understand these fitting instructions. Please direct any questions regarding fitting to the dealer from where the roof racks were purchased.
- Off-road conditions can be much more rigorous. Extreme care must be taken in off road conditions.
- Roof racks must be removed when vehicle is put through an automatic car wash.
- With utility vehicles, the cabin and the canopy move independently. Roofracks and vehicle can be damaged if the item transported is rigidly fixed at points on both the cabin and canopy. Instead, rigidly fix to either the cabin roof racks or the canopy roof racks.
- Always ensure you fasten your load securely.
- Use only non-stretch fastening ropes or straps to attach cargo to your load.


In service maintenance checks

- All bolt connections should be checked after driving a short distance when you first install your roof racks.
- All bolted connections should be checked again at regular intervals (weekly is recommended, depending on road conditions, usage, loads and distances travelled).
- All bolted connections should be checked each time they are re-fitted.
- Off-road conditions are more rigorous. Check all bolted connections and your load more regularly.
- Ensure that your vehicle manufacturer’s GVM, and gross axle weights are not exceeded (refer to vehicle owner’s manual).

Note for Dealers and Fitters

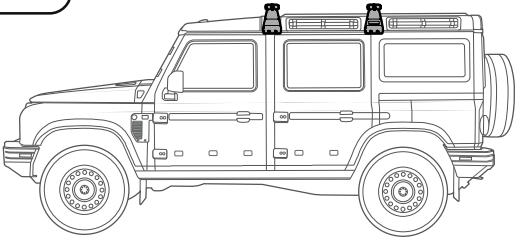
It is your responsibility to ensure these fitting instructions are given to the end user or client. These instructions remain the property of Rhino-Rack Australia Pty. Ltd. and may not be used or changed for any other purpose than intended.

Bar Configurations - See Step **12** on Page 8 for bar dimensions




TWO BAR STANDARD SETUP

(Load-Bearing)

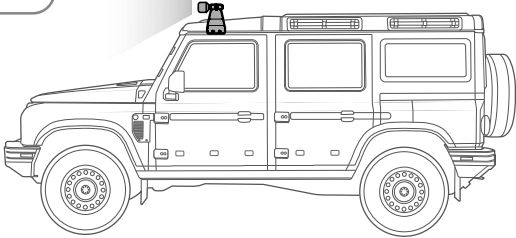


Carrying Capacity stated in tables above.



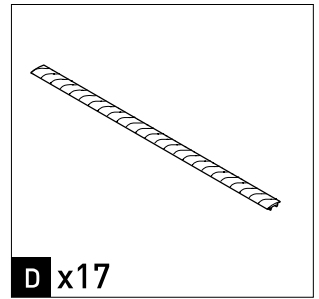
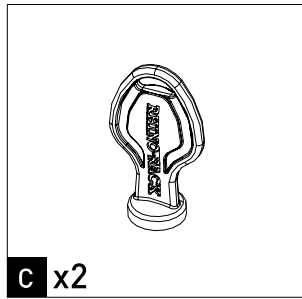
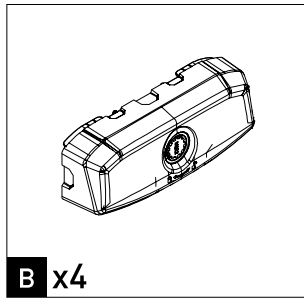
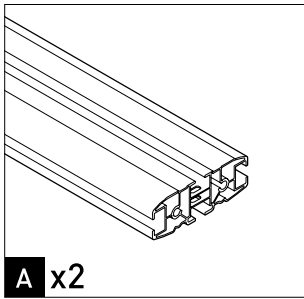
FRONT LIGHT BAR SETUP

(NON Load-Bearing)

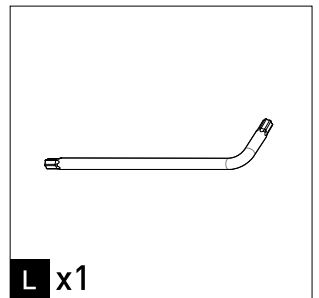
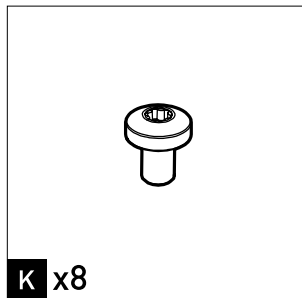
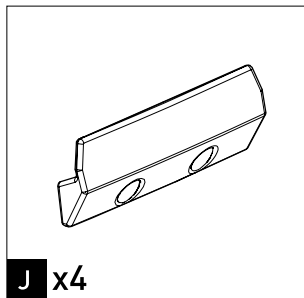
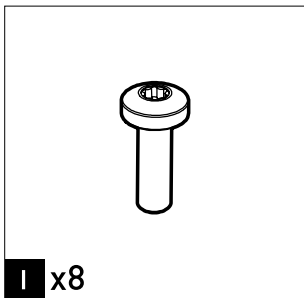
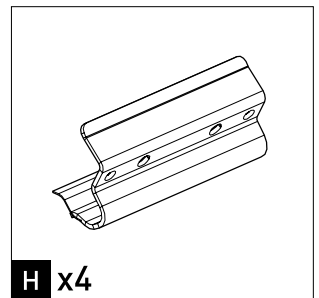
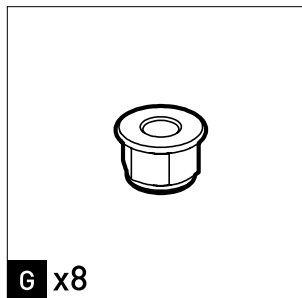
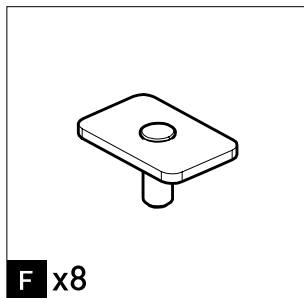
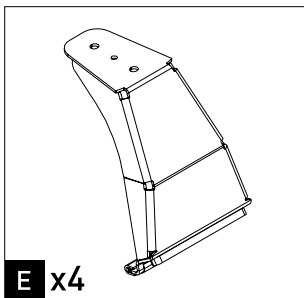


Front mounting reduces load capacity and functionality.
This setup is suitable for carrying a single light bar ONLY.

Crossbar Parts

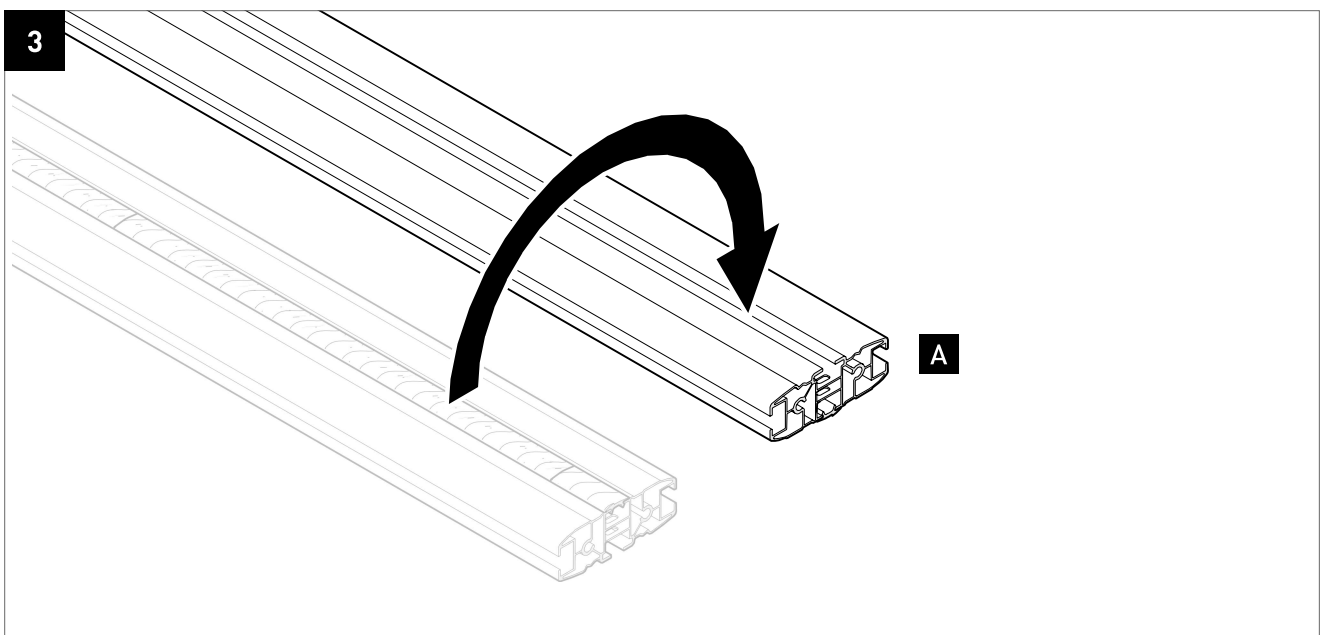
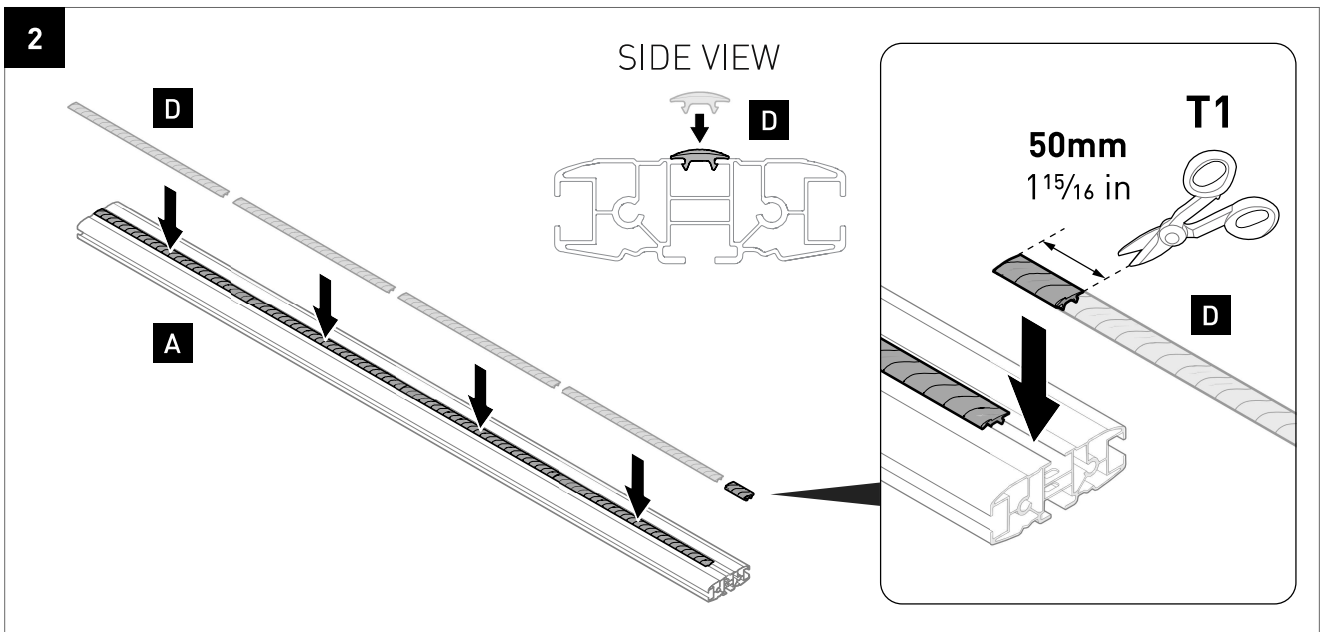
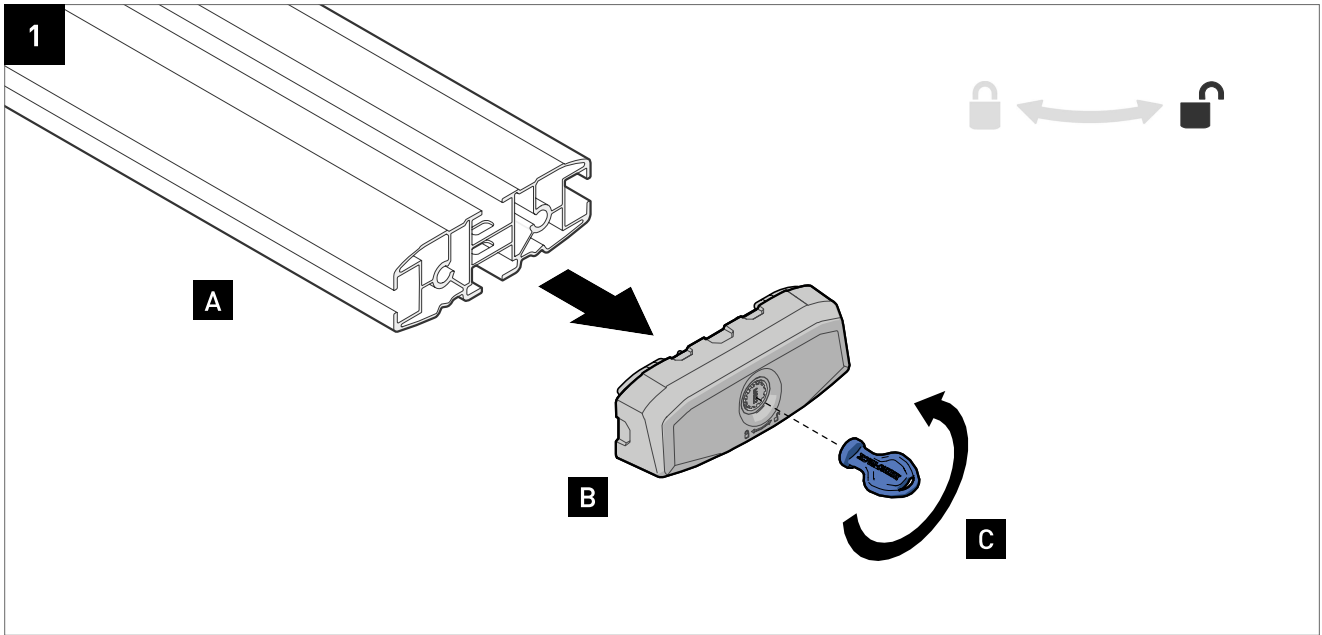


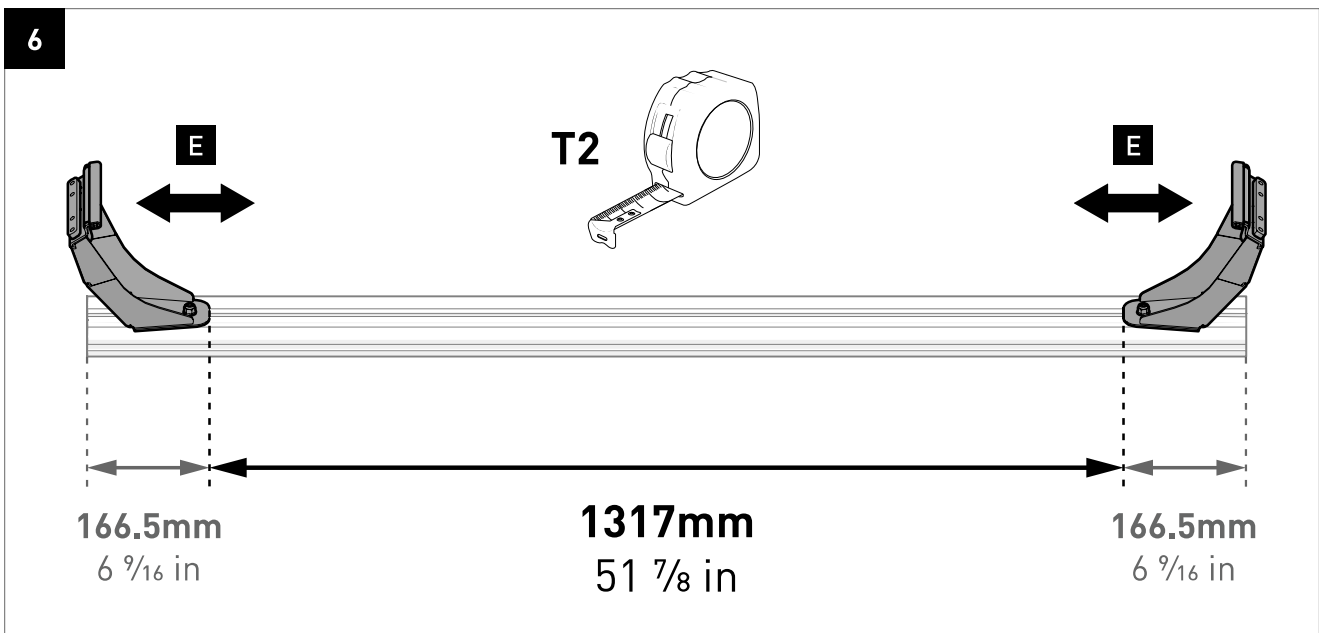
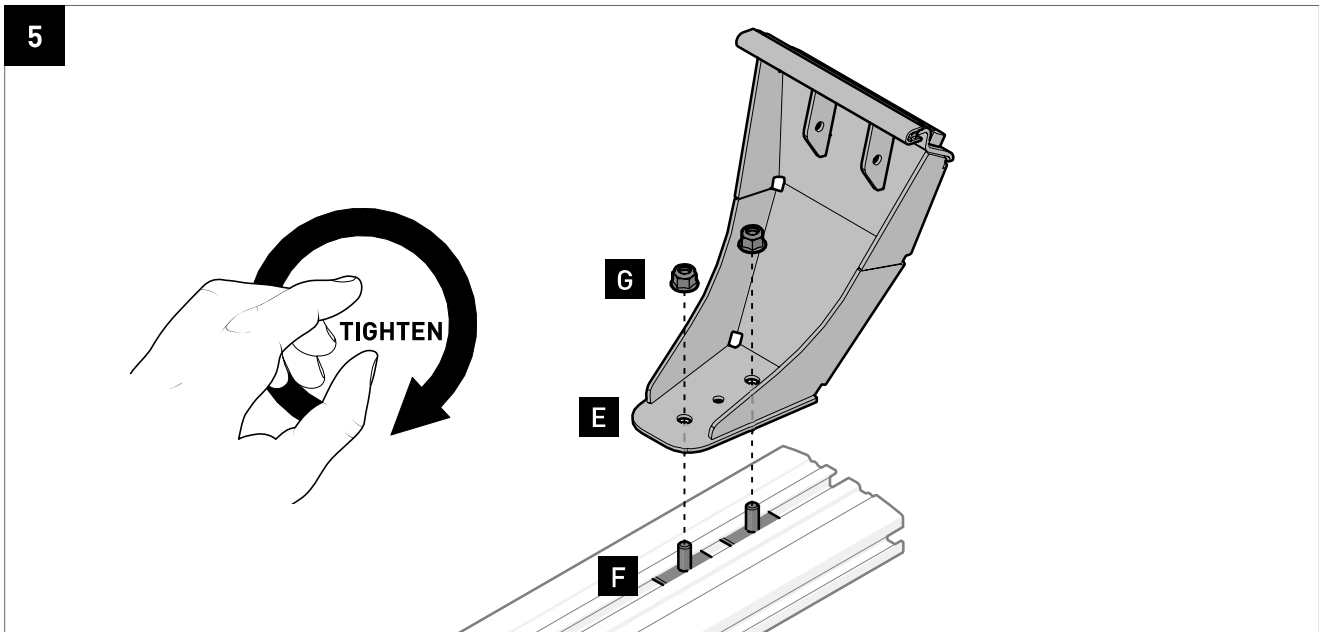
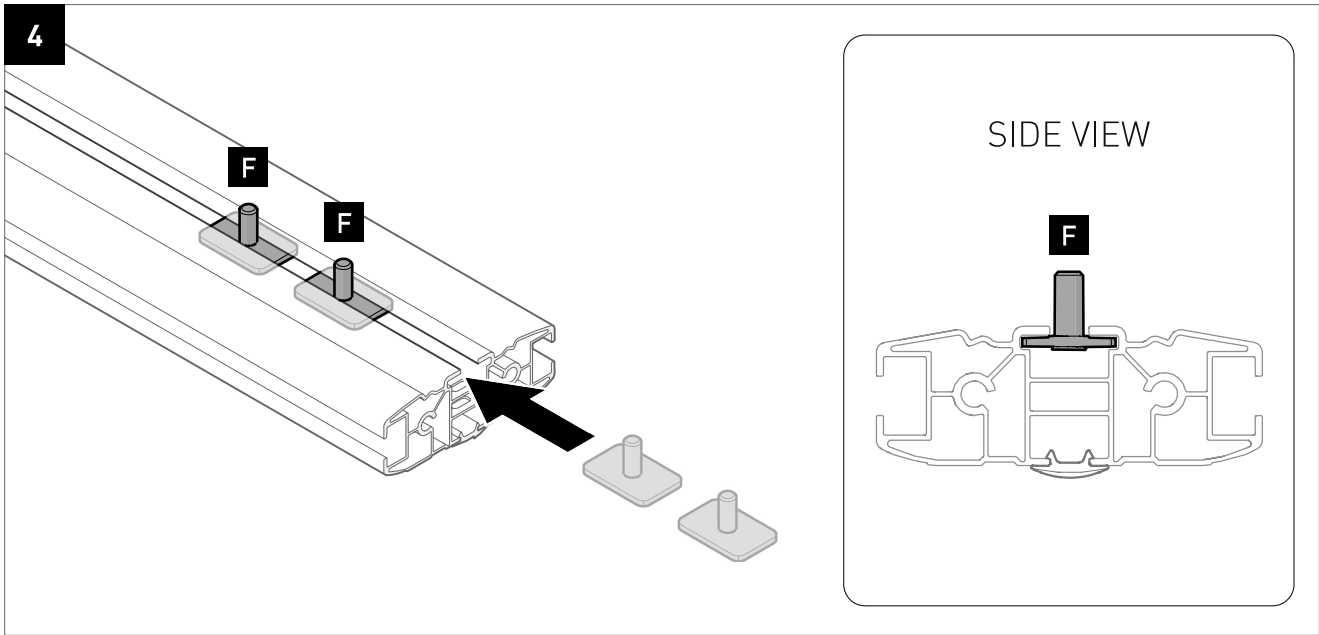
Tower Parts

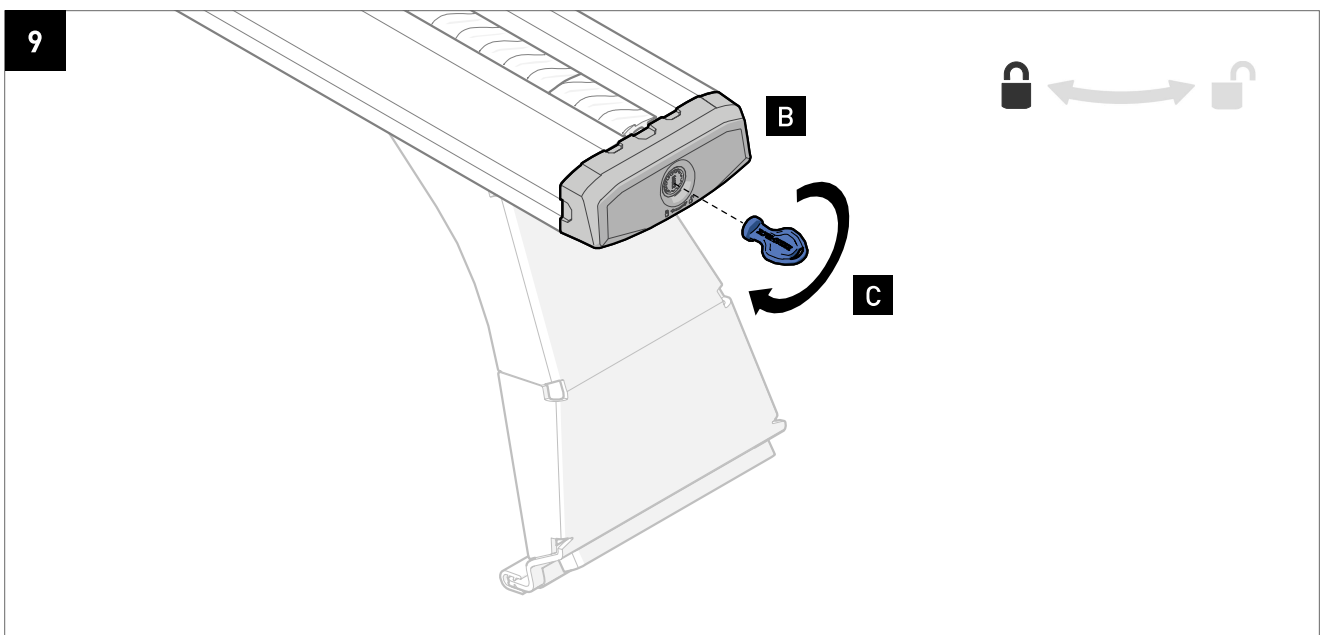
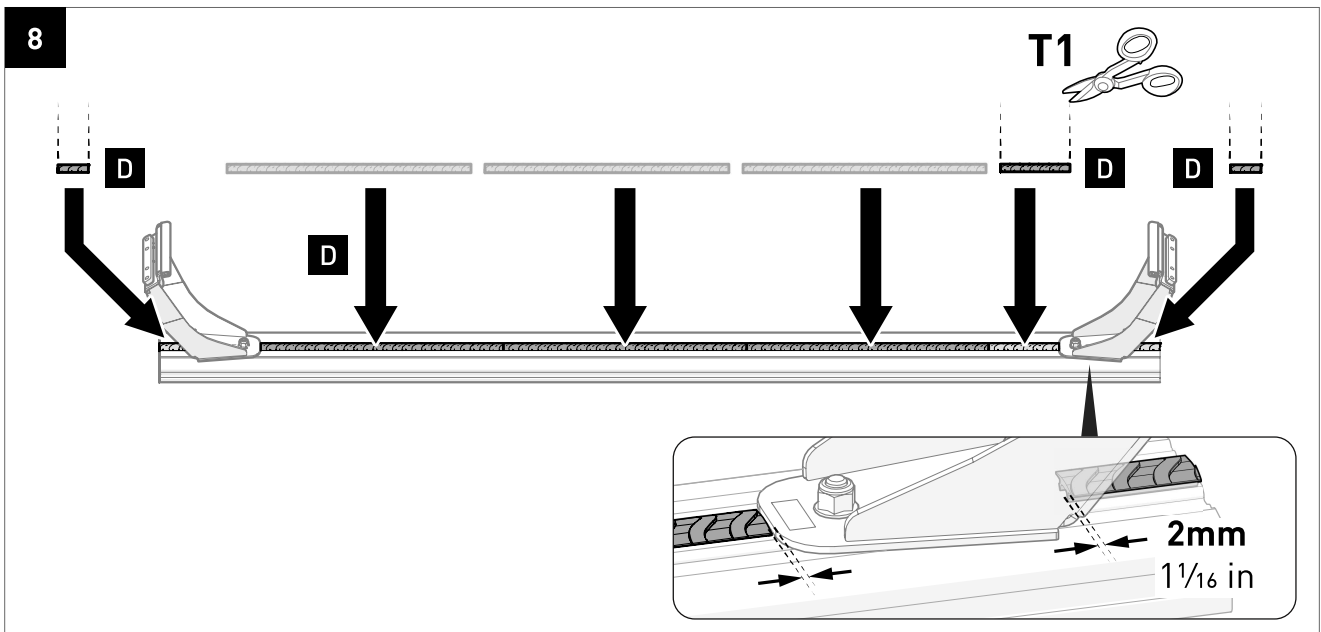
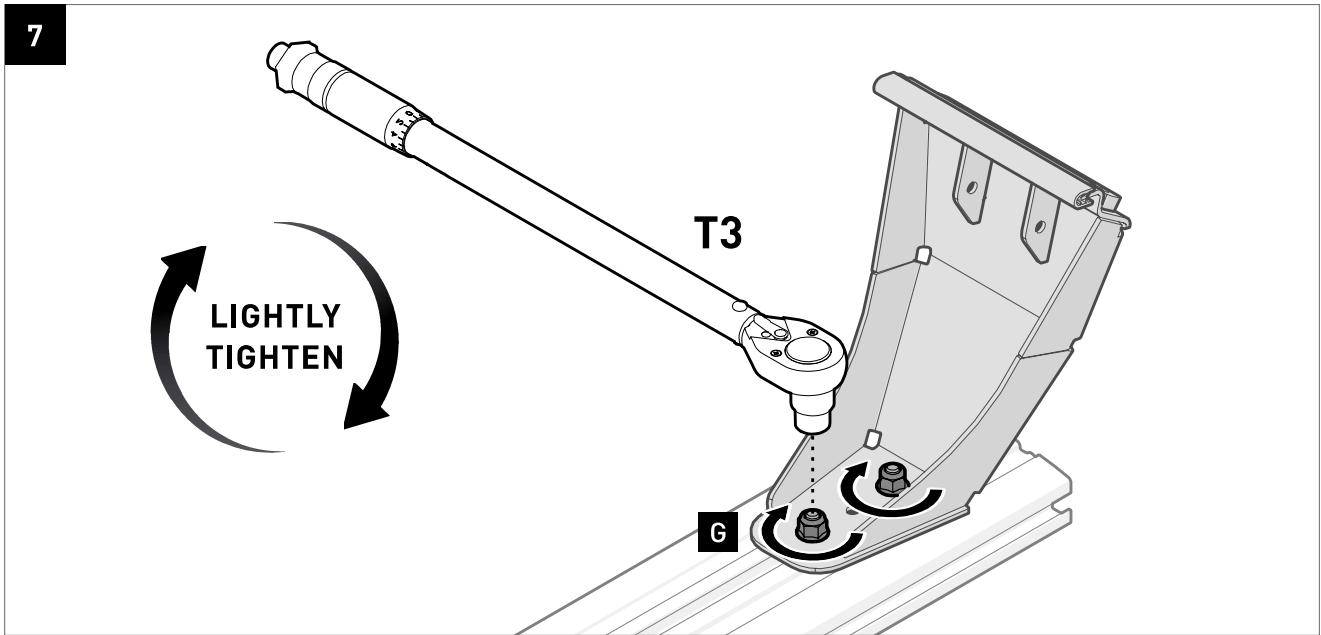


TOOLS REQUIRED:

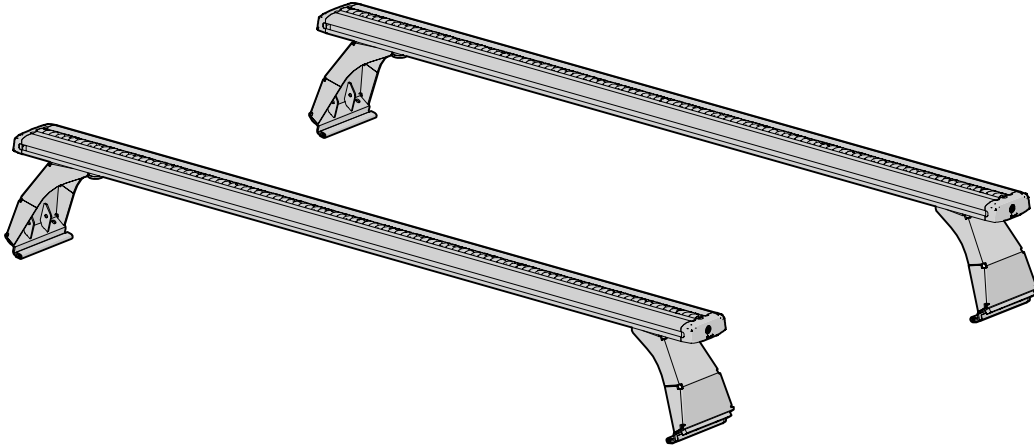
- T1** - Scissors
- T2** - Measuring Tape
- T3** - 13mm / 1/2" Socket Wrench or Spanner
- T4** - x2 Step Ladder
- T5** - Torque Wrench with T40 Drive



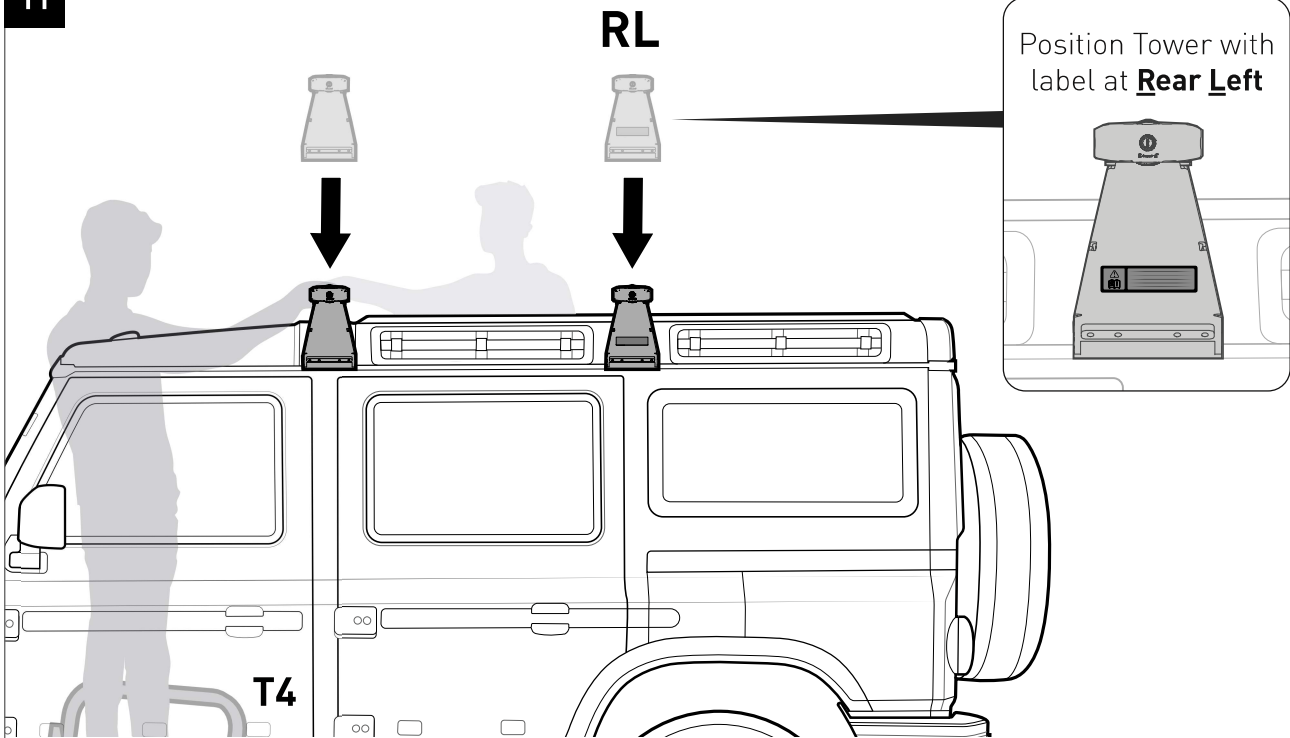




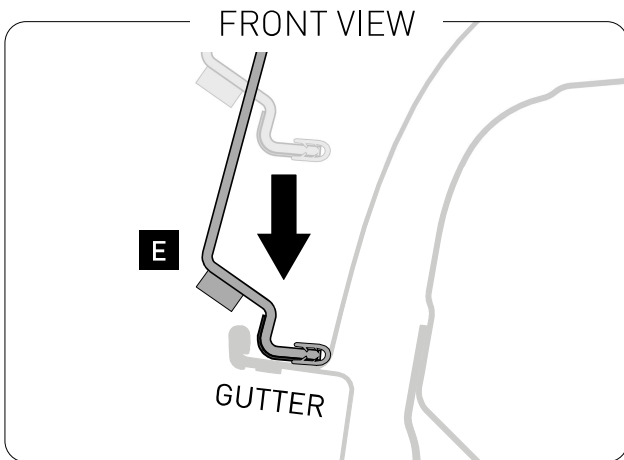
10 Repeat Steps **1** - **9** for second bar



11



T4

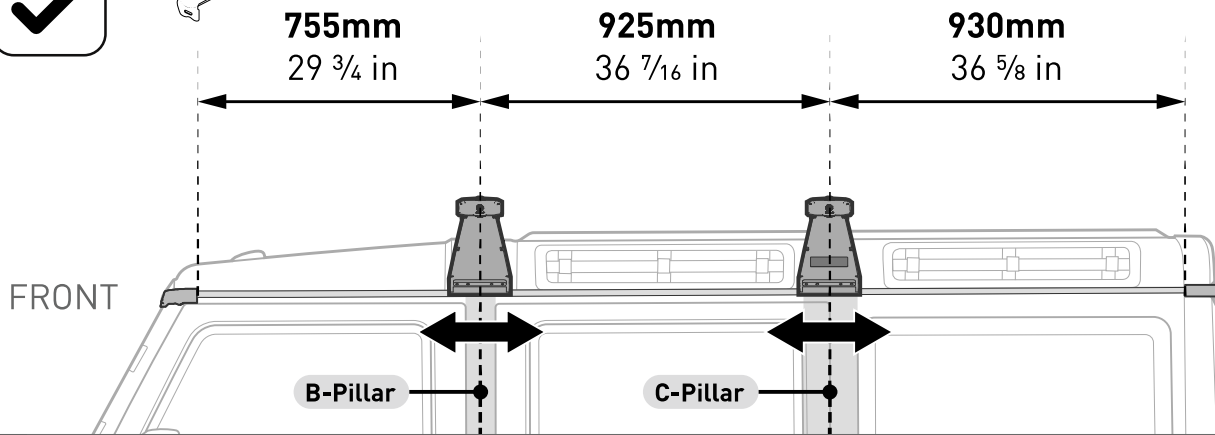
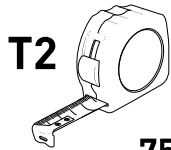
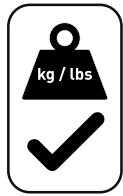


NOTE:

Step ladders must be prepared on each side of the vehicle before placing onto the gutters



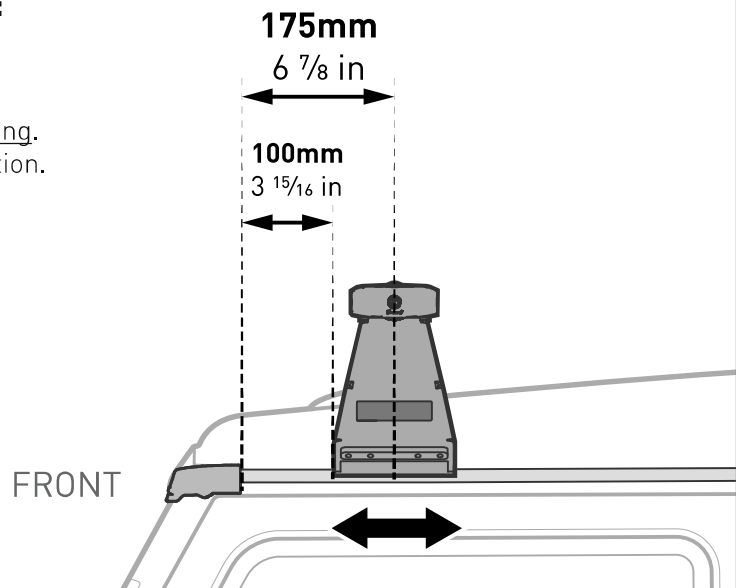
12a FOR TWO BAR STANDARD SETUP:



12b FOR FRONT LIGHT BAR SETUP:



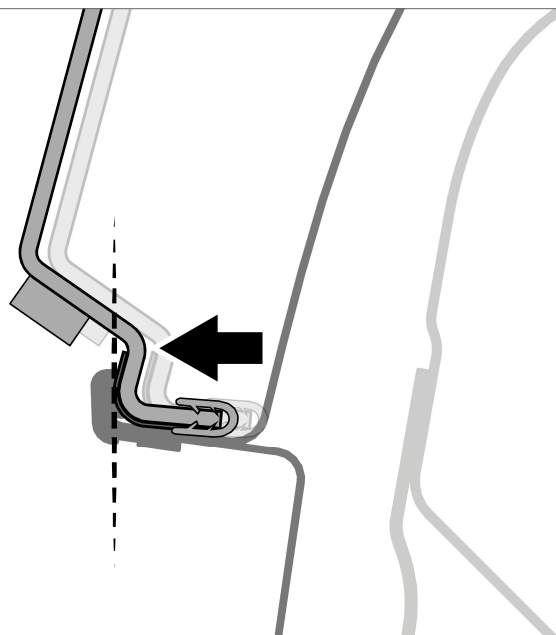
NOTE:
This bar set-up is non-load bearing.
Refer to page 2 for more information.



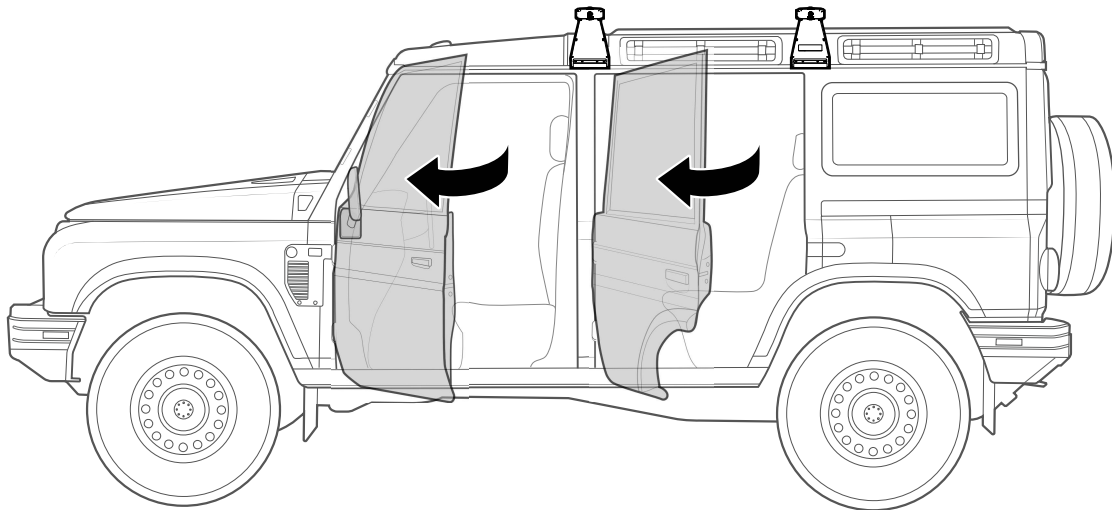
13

FRONT VIEW

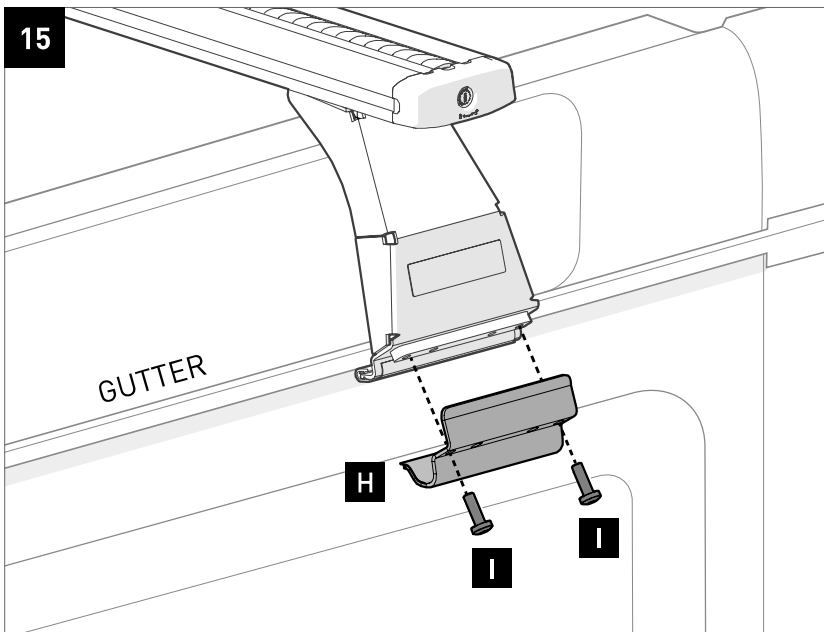
E



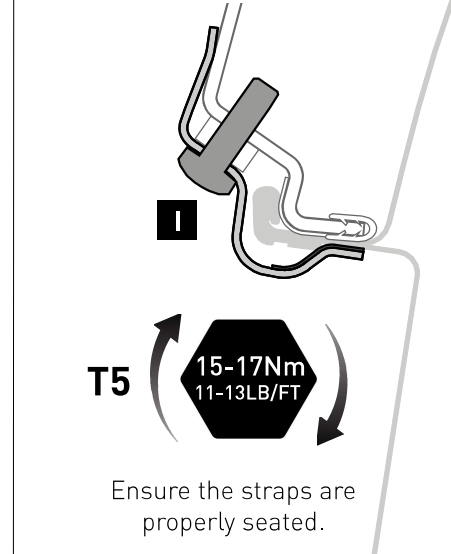
14



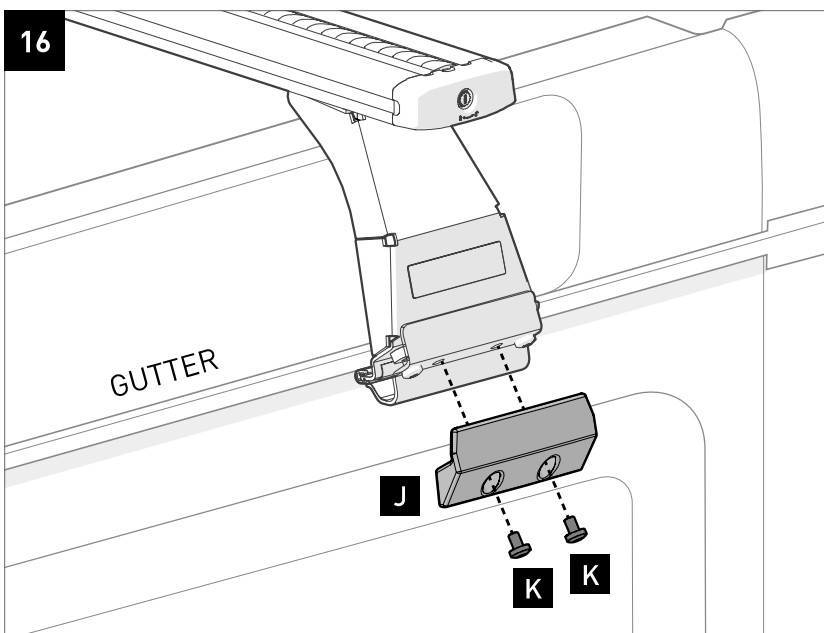
15



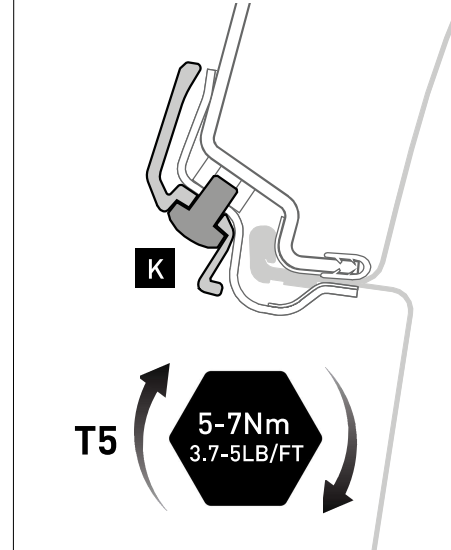
FRONT SECTION



16



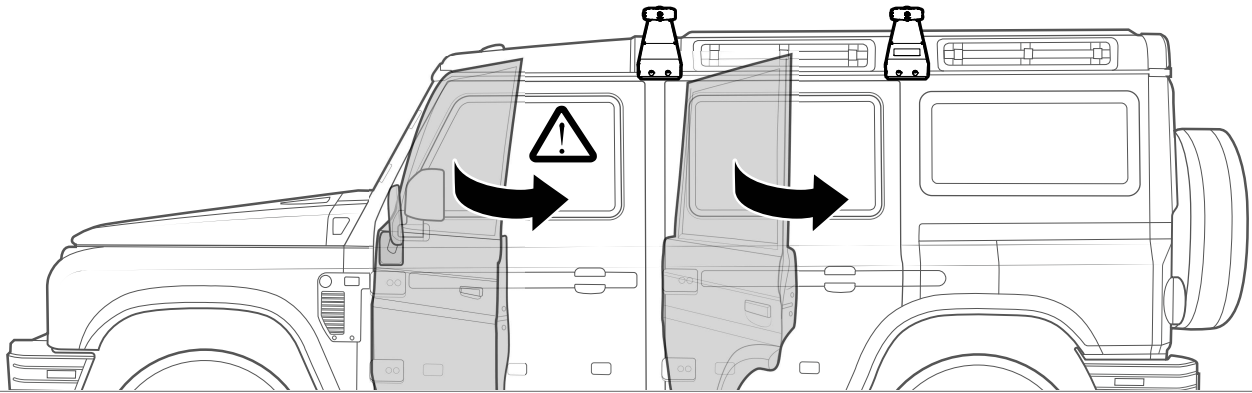
FRONT SECTION



17

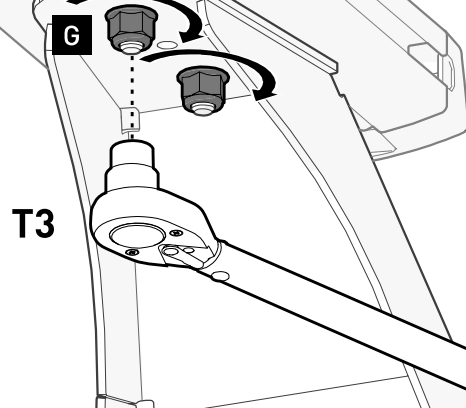
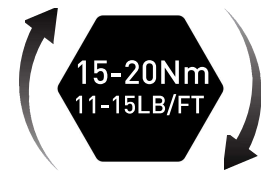


Close doors **carefully** to confirm all straps clear the doors. If straps and doors interfere, repeat Step **15** - **16**



18

Tighten all connection points.



19

Check fitment is secure.

