

IATSB003024v3

Authored Date	23/09/2024	
Doc No.	IATSB003024v3	
Title	Roof Bar Cover - Replace	
Affected Vehicle(s)	Grenadier	PF000001 -
This Technical Service Bulletin (TSB) should only apply to vehicles that demonstrate the described issue below.		

Reason for this document

Issue: An issue has been identified on a small percentage of the affected vehicles where water run downs the rear side window.

Cause: Design Issue.

Action: Follow the procedure below.

Workshop Procedure

Roof Bar Cover - Replacement

Operation:	SRO	Repair Time:
Replace – Without Exterior Light	XTSBRBCR001	0.1
Replace – With Exterior Light (Front)	XTSBRBCWL01	1.7
Replace – With Exterior Light (Rear)	XTSBRBCWRL1	3.0

Parts

Part Number	Description	Qty
GRA-7E21-030210	Roof Bar Cover	1
GRA-7E21-030220	Roof Rail Side Cover – LED Light.	1
GRA-0000-004470	Washers M6	6

Note:
- The procedure contains illustrations showing certain components removed to provide extra clarity.
- This procedure contains some variation in the illustrations depending on the vehicle specification, but the essential information is always correct.



Roof Bar Cover – Without Exterior Light

Removal

1.

Remove and discard the roof bar cover.

Refer to: [Roof Side Cover Front Left \(Remove for Access and Install\) TOPIC_000000994](#)

[Roof Side Cover Front Right \(Remove for Access and Install\) TOPIC_0000003020](#)

[Roof Side Cover Rear Left \(Remove for Access and Install\) TOPIC_0000003019](#)

[Roof Side Cover Rear Right \(Remove for Access and Install\) TOPIC_0000003021](#)

Installation

Note:
New washers must be installed when fitting the Roof Side Cover.

1.

Install the new roof bar cover.

Refer to: [Roof Side Cover Front Left \(Remove for Access and Install\) TOPIC_000000994](#)

[Roof Side Cover Front Right \(Remove for Access and Install\) TOPIC_0000003020](#)

[Roof Side Cover Rear Left \(Remove for Access and Install\) TOPIC_0000003019](#)

[Roof Side Cover Rear Right \(Remove for Access and Install\) TOPIC_0000003021](#)

Parts: GRA-7E21-030210 Roof Rail Side Cover. Quantity: 1

GRA-0000-004470 Washer M6. Quantity: 6

2.

Release the vehicle.



Roof Bar Cover – With Exterior Light (Front only)

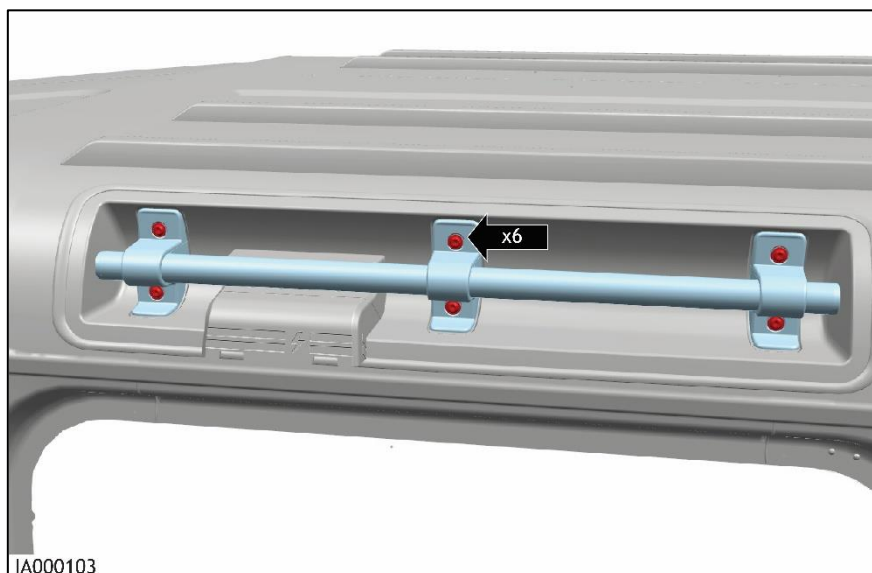
1.

Remove the front roofliner.

Refer to: [Roofliner Front \(E-Call and Diff-Lock\) \(Remove for Access and Install\) TOPIC_0000004716](#)

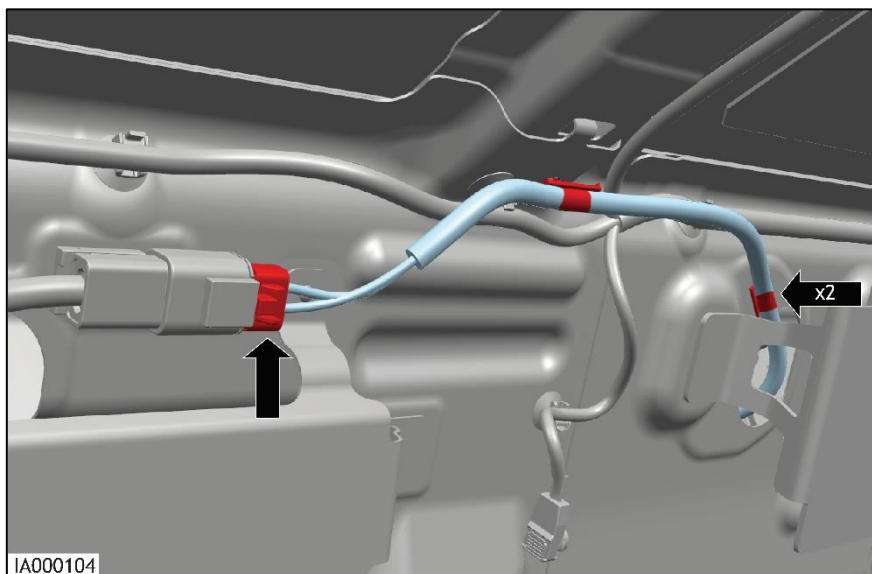
[Roofliner Front \(With Sunroof\) \(E-Call and Diff-Lock\) \(Remove for Access and Install\) TOPIC_0000004716](#)

2.



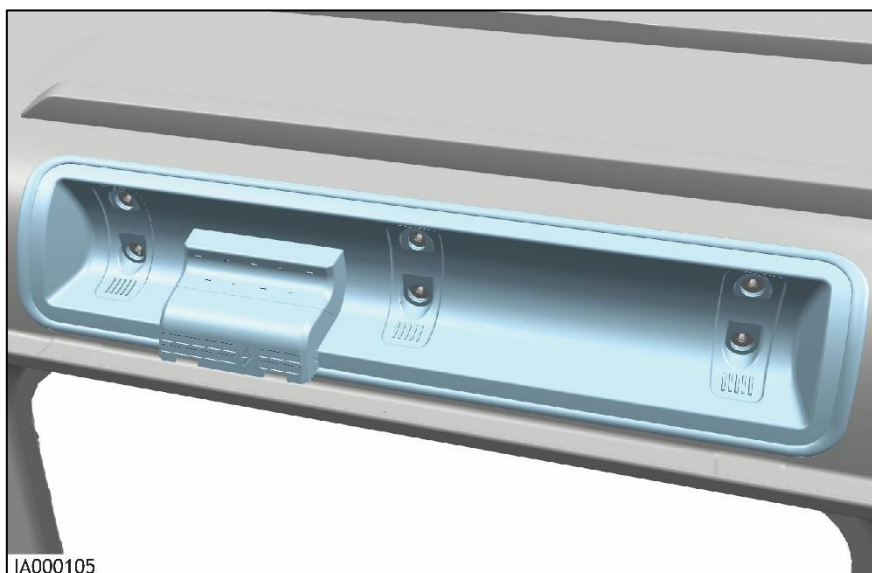
- Remove the 6 bolts.
 - Remove the roof bar.
-

3.



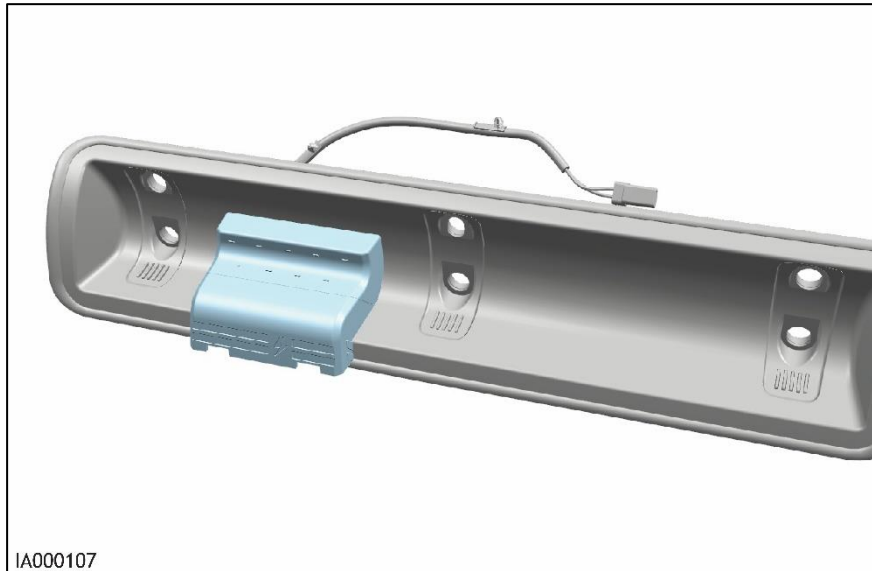
- Disconnect the electrical connector.
- Release the 2 wiring harness clips.

4.



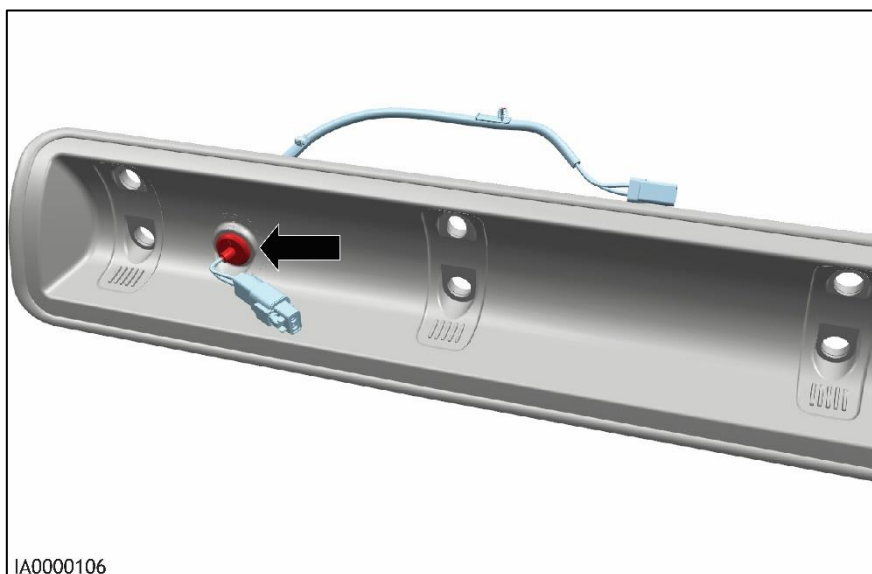
Remove the roof bar cover.

5.



Remove the roof bar wiring harness cover.

6.



- Release the wiring harness grommet from the roof bar cover.
- Remove the wiring harness from the roof bar cover.

Installation

1.

- Install the wiring harness.
 - Install the wiring harness grommet into the roof bar cover.
-

2.

Install the roof bar wiring harness cover.

3.

Install the roof bar cover.

4.

- Install the wiring harness clips.
 - Connect the electrical connector.
-

5

Note:

New washers must be installed when fitting the Roof Side Cover.

- Install the roof bar.
- Install and tighten the 6 bolts.

Torque: 10Nm

Parts: GRA-7E21-030220 Roof Rail Side Cover – LED Light. Quantity: 1

GRA-0000-004470 Washer M6. Quantity: 6



6.

Install the front roofliner.

Refer to: Roofliner Front (E-Call and Diff-Lock) (Remove for Access and Install) TOPIC_0000004716

Roofliner Front (With Sunroof) (E-Call and Diff-Lock) (Remove for Access and Install) TOPIC_0000004716

7.

Release the Vehicle



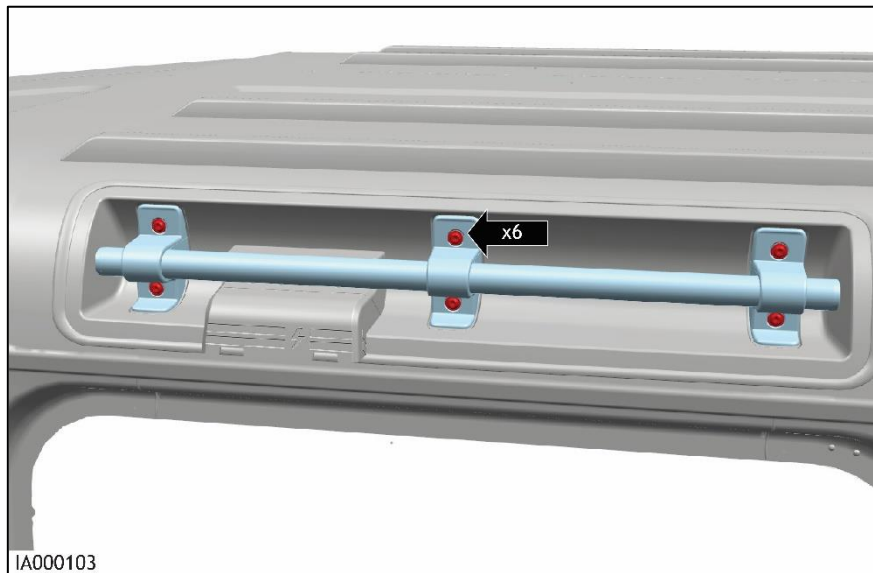
Roof Bar Cover – With Exterior Light (Rear only)

1.

Remove the rear roofliner.

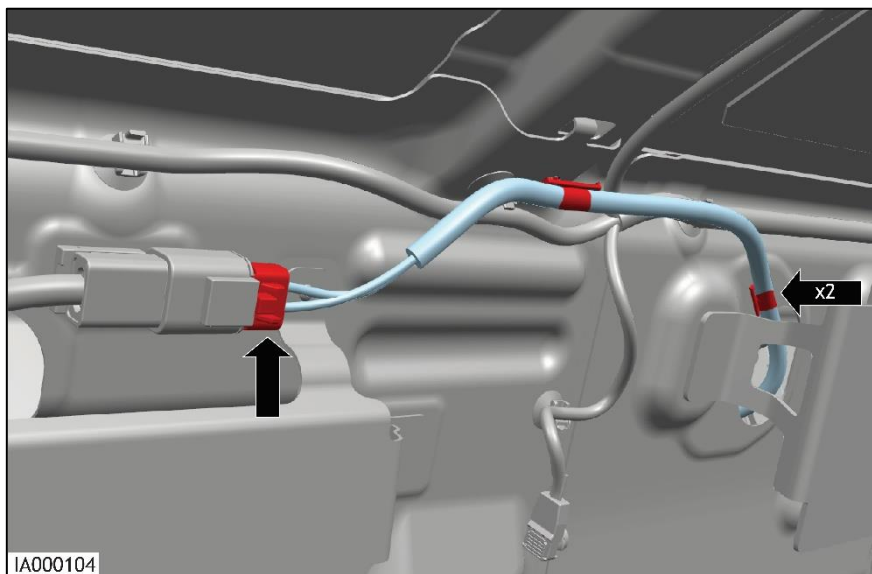
Refer to: [Roofliner Rear \(Remove for Access and Install\) TOPIC 000001563](#)

2.



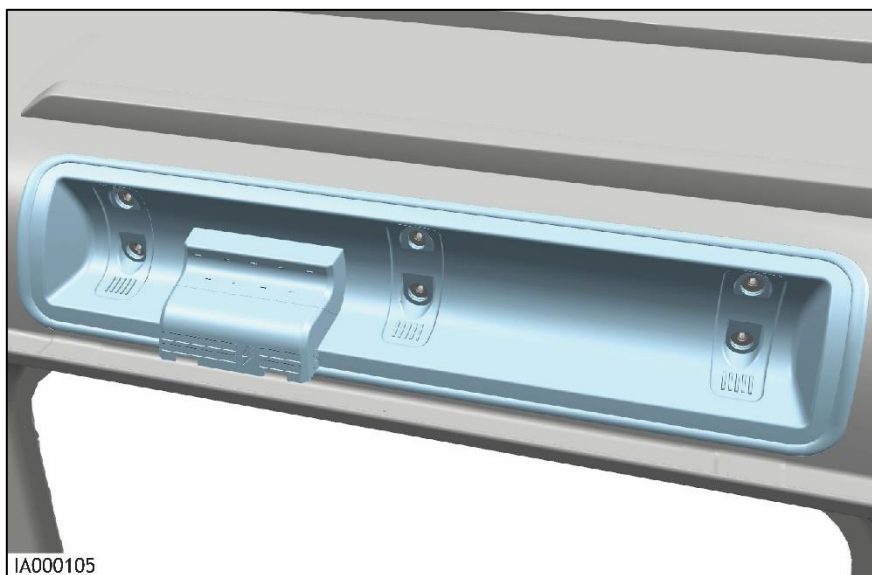
- Remove the 6 bolts.
 - Remove the roof bar.
-

3.



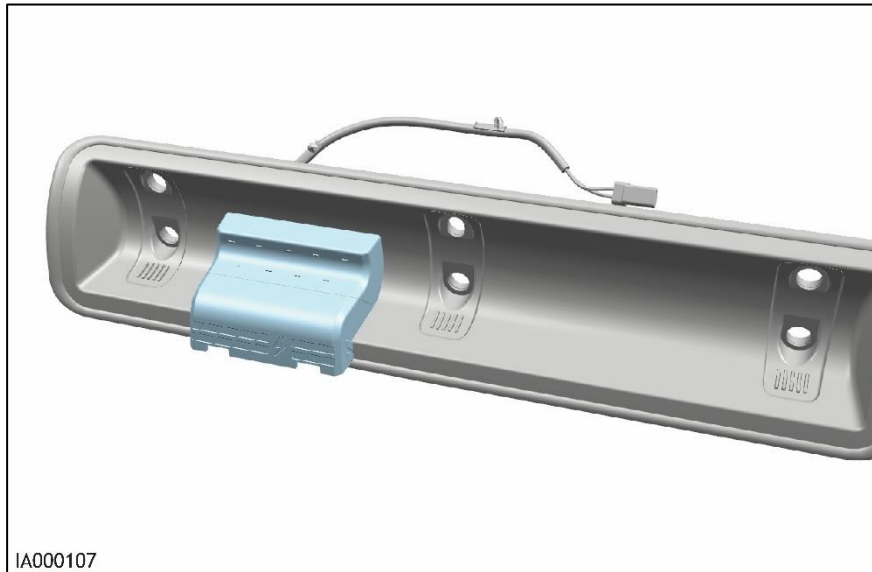
- Disconnect the electrical connector.
- Release the 2 wiring harness clips.

4.



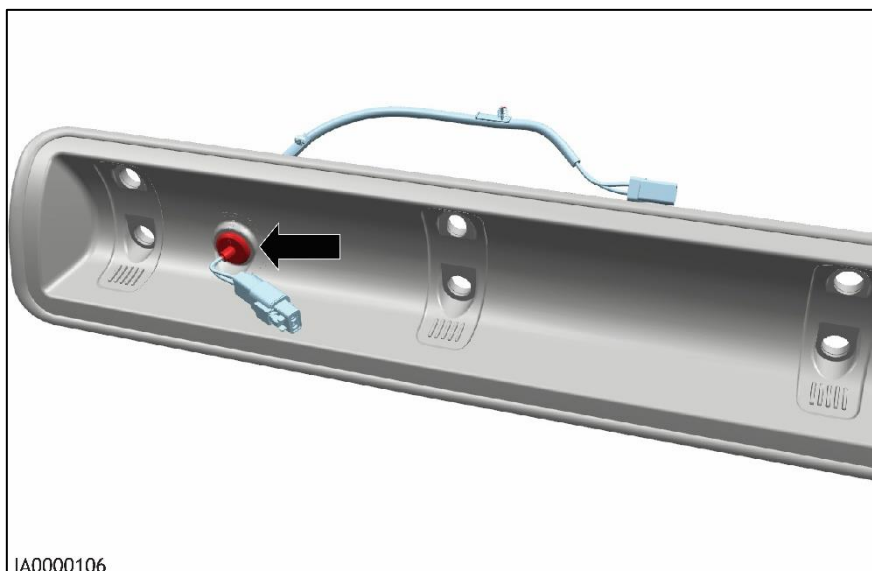
Remove the roof bar cover.

5.



Remove the roof bar wiring harness cover.

6.



- Release the wiring harness grommet from the roof bar cover.
- Remove the wiring harness from the roof bar cover.

Installation

1.

- Install the wiring harness.
 - Install the wiring harness grommet into the roof bar cover.
-

2.

Install the roof bar wiring harness cover.

3.

Install the roof bar cover.

4.

- Install the wiring harness clips.
 - Connect the electrical connector.
-

5

Note:

New washers must be installed when fitting the Roof Side Cover.

- Install the roof bar.
- Install and tighten the 6 bolts.

Torque: 10Nm

Parts: GRA-7E21-030220 Roof Rail Side Cover – LED Light. Quantity: 1

GRA-0000-004470 Washer M6. Quantity: 6



6.

Install the rear roofliner.

Refer to: [Roofliner Rear \(Remove for Access and Install\) TOPIC 0000001563](#)

7.

Release the Vehicle

Change History

Reference No.	Date	Description
IATSB003024	18/03/2024	First release
IATSB003024v2	28/05/2024	Second Release
IATSB003024v3	23/09/2024	Third Release

