

The 5 or 7 position ZCase fuse blocks are designed for primary high current power distribution. One position is used as a power input terminal and usually fitted with a ZCase shunt to provide common power, via the bus bar (included), to the remaining positions fitted with ZCase fuses for protected power outputs. A variety of bus bar configurations are possible. The green dust covers keep dust out of the backside of the fuse box and the cover protects the fuses from debris. Applications include construction equipment, body builders, agricultural equipment and HD/MD Trucks.

Features:

- High current distribution with flexible bussing.
- Stud sizes of M6, M8 & M10 to reduce incorrect fuse placement.
- ZCase 3298 series fuses (40A to 600A) can be used in any location.
- Corrosion resistant coatings and stainless steel nuts.
- Optional configurations 2-7 way bus bars also available.

Part Number	Description
0FHZ0005Z	5 Stud assembly, M8 input, busbar, cover & tether.
0FHZ0009Z	7 Stud assembly, M8 input, busbar, cover & tether.

Voltage: 32VDC

Maximum Continuous Current : 400A.

Fuse Block Contents: Studs, Busbar, Black Silicon Rubber Tether & Green Silicon Rubber Dust Covers.

Fuse Block Dimensions 5 Way: 217mm x 86mm x 59mm.

Fuse Block Dimensions 7 Way: 281mm x 86mm x 59mm.

Busbar: Solid Copper with Tin Plating.

Max wire size: AWG 4/0 (105mm²)

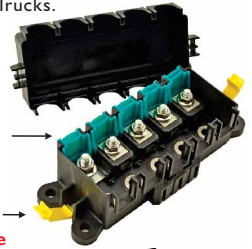
Contact Temperature: -40°C to 105 °C.

Notes: Zcase fuses / shunts are not included.

0FHZ0005Z

Green Covers

**Secure Latch
Finger Release**



0FHZ0009Z

Green dust covers not shown but are included with this block.



RELATED PRODUCTS:

Zcase Fuse



Zcase Shunt

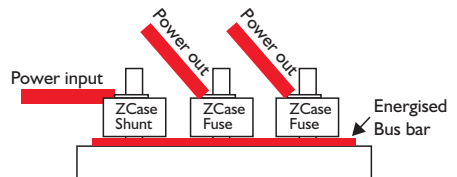


Circuit Information

Wiring a Standard Block

The block includes a one piece removable bus bar that distributes power from the input stud to all remaining fuse positions. Either a ZCase Fuse or ZCase Shunt must be installed on the input stud. A ZCase shunt distributes power directly to the bus bar with no fuse protection. Alternatively, you can fit a ZCase fuse to act as a master fuse thereby ensuring the combined current draw of all circuits doesn't exceed 400A maximum rating.

Note: Studs are isolated from the bus bar ie. not connected to the bus bar. Each stud will only become energised when the included nut is fastened to the top of a ZCase fuse or shunt installed on the stud.



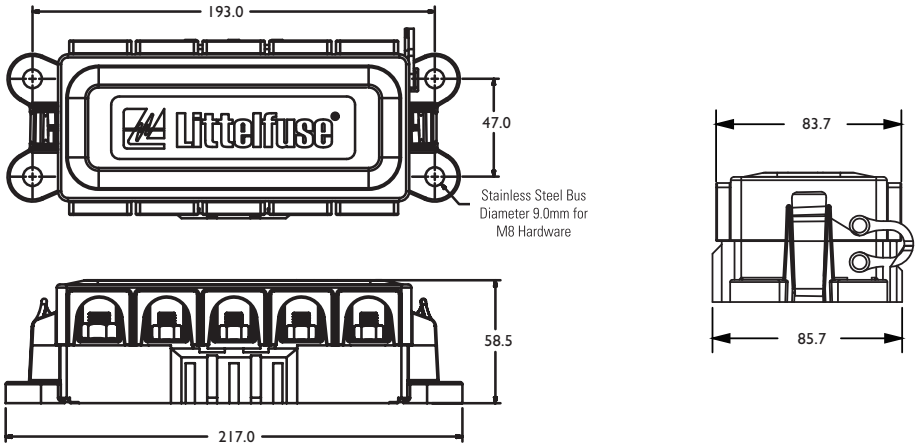
Note: Power flows through the fuse or shunt, not through the mounting studs.

Wiring for Multiple Power Inputs

The included full length bus bar can be removed and replaced with several optional shorter bus bars to allow grouping of fuses powered by several different sources.

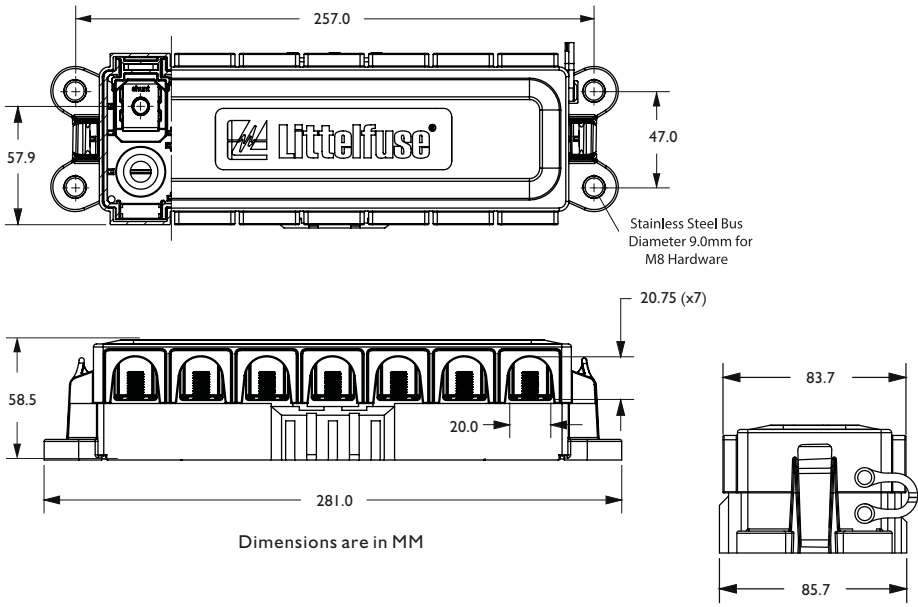
Note: Studs and dust covers can be relocated to any side of the block, but fuses do not fit opposite each other. For each bus bar, one stud is always an input stud.

5 Position Block Dimensions



Dimensions are in MM

7 Position Block Dimensions



Dimensions are in MM