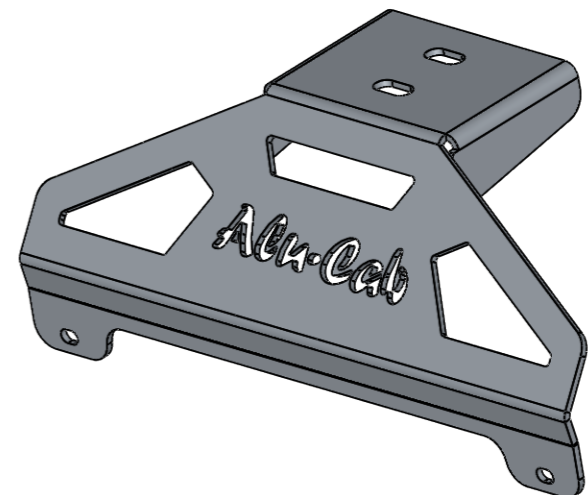
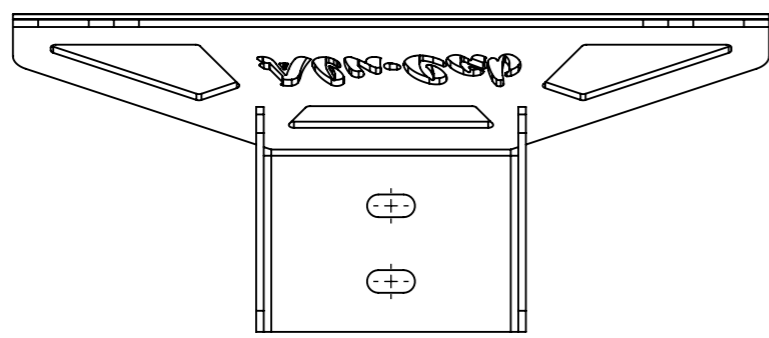
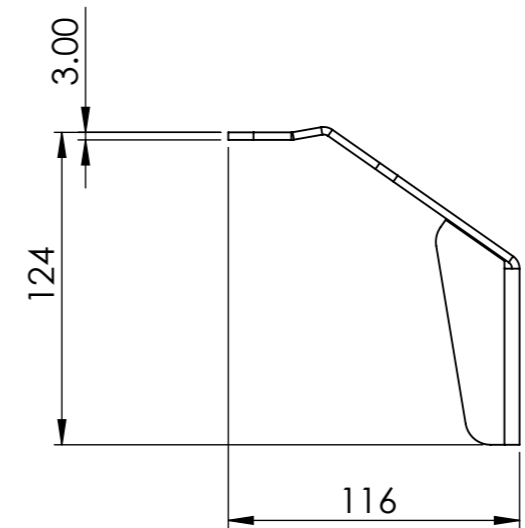
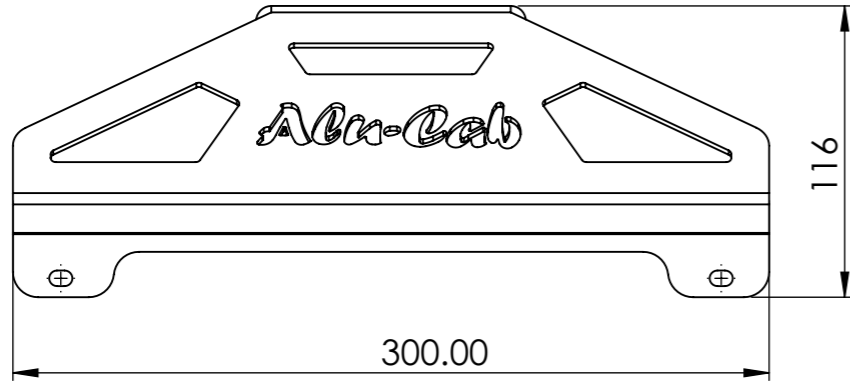


GENERAL ARRANGEMENT

PART INFO	MASS (kg):	817.7
	ORDERING:	BOUGHT OUT
PROCESS INFO	SHEET METAL:	Y
	LASER CUT:	Y
	PUNCHED:	
	MACHINED:	
	OFF THE SHELF:	
	CNC ROUTING:	
	WELDED:	Y
	CUT:	
DRILL / TAP:		
TUMBLED:		
POLISHED:	0	
POWDER:	Y	
SPRAY:		
COLOUR:	SANDPAPER BLACK	



TOLERANCES TO ASSUME UNLESS INDICATED OTHERWISE AIISI 304		MATERIAL DESCRIPTION: AIISI 304		MATERIAL THICKNESS (mm): 3																	
<table border="1"> <thead> <tr> <th>NOM DIMENSION RANGE (mm)</th> <th>TOLERANCE</th> </tr> </thead> <tbody> <tr> <td>0.50 - 3.00</td> <td>± 0.10</td> </tr> <tr> <td>3.00 - 6.00</td> <td>± 0.15</td> </tr> <tr> <td>6.00 - 30</td> <td>± 0.20</td> </tr> <tr> <td>30 - 120</td> <td>± 0.30</td> </tr> <tr> <td>120 - 400</td> <td>± 0.50</td> </tr> <tr> <td>400 - 1000</td> <td>± 1.00</td> </tr> <tr> <td>1000 - 1000<</td> <td>± 2.00</td> </tr> </tbody> </table>		NOM DIMENSION RANGE (mm)	TOLERANCE	0.50 - 3.00	± 0.10	3.00 - 6.00	± 0.15	6.00 - 30	± 0.20	30 - 120	± 0.30	120 - 400	± 0.50	400 - 1000	± 1.00	1000 - 1000<	± 2.00	DESCRIPTION: INEOS GRENADIER LOAD BAR FEET		SHEET: A3	
NOM DIMENSION RANGE (mm)	TOLERANCE																				
0.50 - 3.00	± 0.10																				
3.00 - 6.00	± 0.15																				
6.00 - 30	± 0.20																				
30 - 120	± 0.30																				
120 - 400	± 0.50																				
400 - 1000	± 1.00																				
1000 - 1000<	± 2.00																				
PROJECT: IG-LB-FEET		SCALE: 1:3		SHEET 1 of 1																	
		DRAWN BY: Isma-eel Ariefdien		DATE: 2024-01-12																	
THE INFORMATION CONTAINED WITHIN THIS DOCUMENT IS THE INTELLECTUAL PROPERTY OF ALU-CAB (PTY) LTD		DRAWING NO.: IG-LB-FEET-P001-GA		REV 00																	

REVISIONS			
REV.	DESCRIPTION	DATE	APPROVED
01		2024-01-12	System Administrator
00	RELEASED FOR PRODUCTION	2024-01-12	System Administrator

