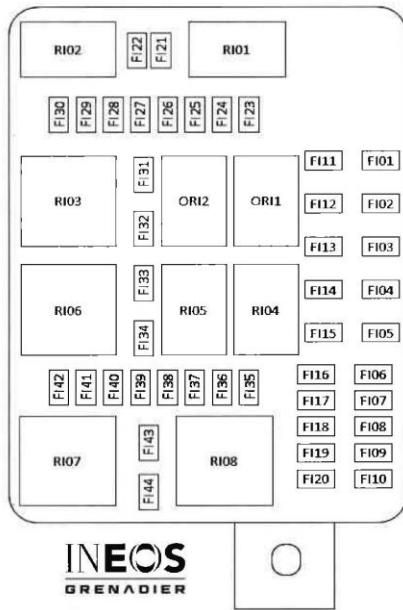


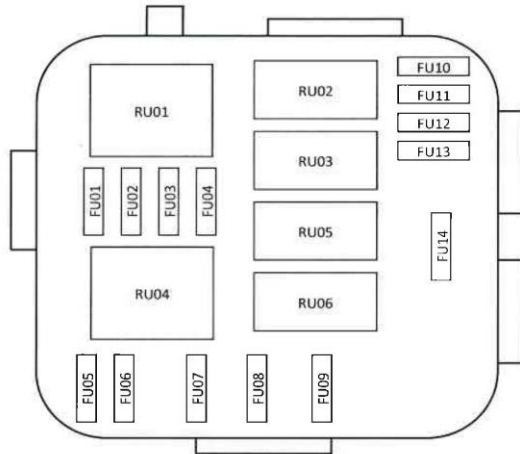
INTERIOR ELECTRICAL CENTRE



FUSE POSITION	DESCRIPTION	AMPERAGE
FI01	IGN Relay (CL15 - Electronics)	30
FI02	IGN Relay (CL15 - Pumps/Heating)	60
FI03	Front Wiper Motor	30
FI04	Accessory Relay (CL30ACC - RI03)	60
FI05	Horn (BCM)	30

FUSE POSITION	DESCRIPTION	AMPERAGE
FI06	Window Lifter FL (BCM)	30
FI07	Window Lifter FR (BCM)	30
FI08	Window Lifter RL (BCM)	30
FI09	Window Lifter RR (BCM)	30
FI10	After Run Relay (CL30S - RI02)	25
FI11	Rear Defog	30
FI12	HVAC (Blower)	40
FI13	Spare (Air Compressor / Dust Gun)	40
FI14	Trailer Module	40
FI15	SCR Module 1	30
FI16	Gateway Module 1 (ETGW)	30
FI17	Water Separator	25
FI18	Fuel Pump	30
FI19	Gateway Module 2 (ETGW)	15
FI20	Door Lock	20
FI21	Seat Heating Right	25
FI22	Seat Heating Left	25
FI23	Cooling Fan / AC Compressor	5
FI24	Gear Shifter	5
FI25	Cluster / Interior Lighting / Steering Wheel	5
FI26	SCR Module 2	15
FI27	Brake Light Switch	5
FI28	Overhead Console Switch	10
FI29	Customer Provision, LHS Footwell	10
FI30	Customer Provision, RHS Footwell	10
FI31	Trailer	25
FI32	Heated Mirrors	7.5
FI33	Trunk Lamp / IBS / NVLD	5
FI34	Reserved (ADAS)	FREE
FI35	Run Crank - Steering / ESC / Brake Fluid Sensor	7.5
FI36	Airbag Control Module	10
FI37	Run Crank - BCM / ETGW / Seat Mat / Park Assist / Rear View Camera / E-Call	7.5
FI38	Power Mirrors	5
FI39	Headlamp Levelling	10
FI40	Run Crank - HVAC / Cluster / Steering	7.5
FI41	Fuel Pump Controller / Exhaust Flap / Water Separator	5
FI42	Front Wiper / Rear Wiper	15
FI43	Water Pump	10
FI44	Water Pump (Diesel Only)	10

UNDER-HOOD ELECTRICAL CENTRE



FUSE POSITION	DESCRIPTION	AMPERAGE
FU01	Reserved	FREE
FU02	Transmission	20
FU03	Reserved	FREE
FU04	A/C Compressor	10
FU05	Gateway Module (ETGW)	5
FU06	Engine Cooling Fan	15
FU07	Electronic Stability Control (Valves)	40
FU08	Washer Pump	30
FU09	Starter Motor	30
FU10	Reserved	FREE
FU11	Reserved	FREE
FU12	Reserved	FREE
FU13	Horn - Toot	7.5
FU14	Electronic Stability Control (Motor)	60

COCKPIT ELECTRICAL CENTRE



FUSE POSITION	DESCRIPTION	AMPERAGE
FC01	Reserved	FREE
FC02	Reserved	FREE
FC03	HVAC Module	7.5
FC04	Clock / Theft Alarm / Logistics	5
FC05	Body Control Module 1	40
FC06	Body Control Module 2	30
FC07	Additional Heater Step 3	40
FC08	Additional Heater Step 2	40
FC09	Additional Heater Step 1	40
FC10	Reserved	FREE
FC11	HVAC Module	7.5
FC12	Head Unit	20
FC13	Emergency Call	5
FC14	Ignition Switch / Steering Wheel	10
FC15	Onboard Diagnostics (OBDII)	10
FC16	Reserved	FREE
FC17	Reserved	FREE
FC18	Reserved (Diagnostics)	FREE
FC19	Reserved	FREE
FC20	Reserved	FREE
FC21	12V Front Outlet	15
FC22	USB Charging	5
FC23	12V Rear Outlet	15