



# INSTALL INSTRUCTIONS

## INEOS FRONT BUMPER

Product Range : 1241IF#B

Application : 2024+ INEOS GRENADIER

## I WARNING

Read the instructions completely before beginning installation. Before tightening bolts, drilling or cutting where required, check to make sure there are no obstructions such as brake, fuel or electrical lines which may be damaged. Also keep in mind this is an after-market product and MAY require minor shimming and/or trimming, reaming, etc. for proper fit. Road Armor is not responsible for any damages to vehicle.

## ⓘ IMPORTANT NOTICE

- Be sure to inspect and test fit your product to ensure proper fitment before having it coated, painted, bed lined, etc.
- Road Armor will not be responsible for the cost of coating your unit if any problems with fit or finish are not noted and addressed beforehand.

## SAFETY FIRST!

- FOLLOW ALL INSTRUCTIONS, YOUR SAFETY AND THE SAFETY OF OTHERS IS MOST IMPORTANT.
- WEAR APPROPRIATE EYE PROTECTION AND EXERCISE CAUTION WHEN DRILLING / CUTTING

## REQUIRED TOOLS

SAE & Metric Sockets and Wrenches

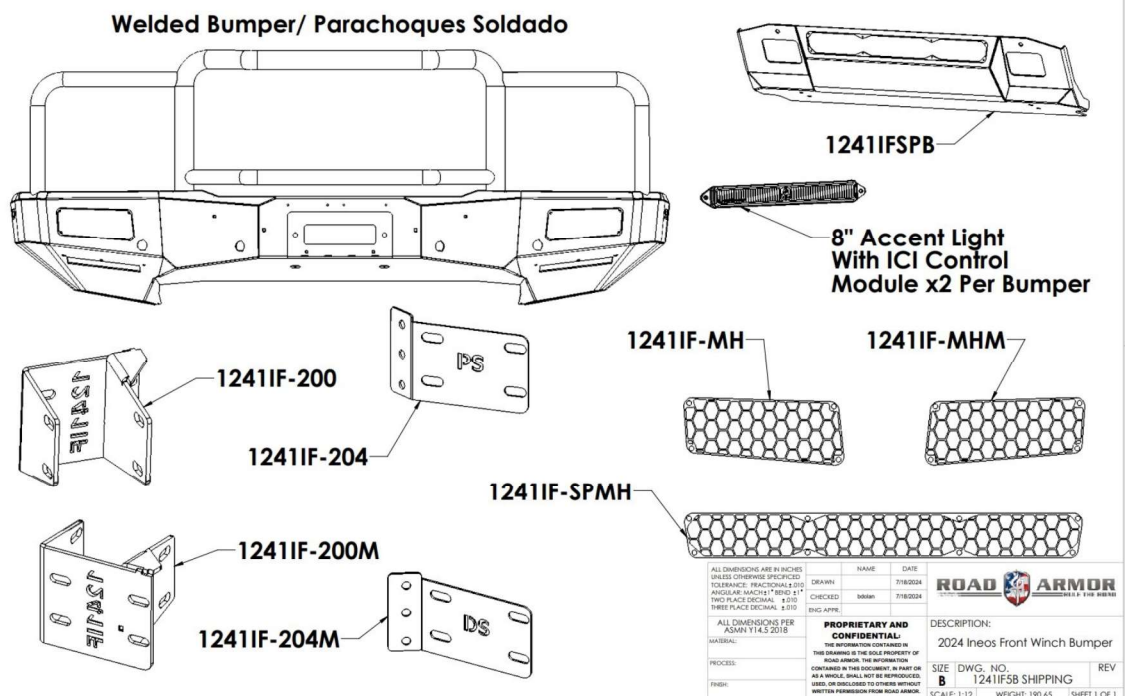
Black Spray Paint

Drill and 1/2 – 9/16 or Step bit

Tape Measure

Allen wrenches

## INCLUDED COMPONENTS



ITEM NO.	PART NUMBER	DESCRIPTION	QTY.
1	33072	# 8 x 0.438" OD Low Carbon Zinc Finish Steel SAE General Purpose Flat Washer	10
2	73724	#8-32 x 3/4" L 3/32" Hex Drive 18-8 Plain Stainless Steel Button Head Socket Cap Screw	10
3	37407	#10-24 Zinc Finish Steel with External Tooth Lockwasher K-Lock Nut	16
4	94030	#10-24 x 1/2" ASTM F835 Hex Drive Zinc Finish Alloy Steel Button Socket Cap Screw	20
5	73734	#10-24 x 3/4" ASTM F879 Hex Drive Grade 18-8 Stainless Steel Button Socket Cap Screw	12
6	1.125 inch plug	1 1/8" Dome plug	4
7	33895	1/2" Yellow Zinc Finish High Alloy Medium Split Lock Washer	8
8	616-DNP	1/2" centered double nut plate	4
9	33861	1/2" x 1.375" OD Thru-Hardened Yellow Zinc Finish Steel USS General Purpose Flat Washer	8
10	15209	1/2"-13 x 1-1/2" Grade 8 Yellow Zinc Finish Hex Cap Screw	8
11	1133622	3/8" Zinc Finish Medium Split Lock Washer	6
12	33008	3/8" x 1.000" OD Low Carbon Zinc Finish Steel USS General Purpose Flat Washer	12
13	1136306	3/8"-16 Zinc Finish Grade 5 Finished Hex Nut	6
14	110120344	3/8"-16 x 1" Grade 5 Zinc Finish Hex Cap Screw	6
15	93307	3/8"-16 x 1-1/4" ASTM A574 Hex Drive Zinc Finish Alloy Steel Socket Cap Screw	4
16	93357	7/16"-14 x 1-1/4" ASTM A574 Hex Drive Zinc Finish Alloy Steel Socket Cap Screw	4

**DATE** 8/14/2024  
**NAME** bobm

**DRAWN** bobm  
**CHECKED** bobm  
**ENG APPR.**

**ALL DIMENSIONS ARE IN INCHES UNLESS OTHERWISE SPECIFIED**  
ANGULAR: MACH 1° BEND 21°  
TWO PLACE DECIMAL ±.010  
THREE PLACE DECIMAL ±.010

**ALL DIMENSIONS PER** ASMN Y14.5 2018

**MATERIAL:**

**PROCESS:**

**FINISH:**

**ROAD ARMOR**  
CONFIDENTIAL

**DESCRIPTION:**

**PROPRIETARY AND CONFIDENTIAL:**  
THIS DRAWING IS THE SOLE PROPERTY OF ROAD ARMOR. THE INFORMATION CONTAINED IN THIS DOCUMENT IS PART OR WHOLE OR DISCLOSED TO OTHERS WITHOUT WRITTEN PERMISSION FROM ROAD ARMOR.

**SIZE** DWG. NO. 1241IF BOLT KIT  
**REV** B

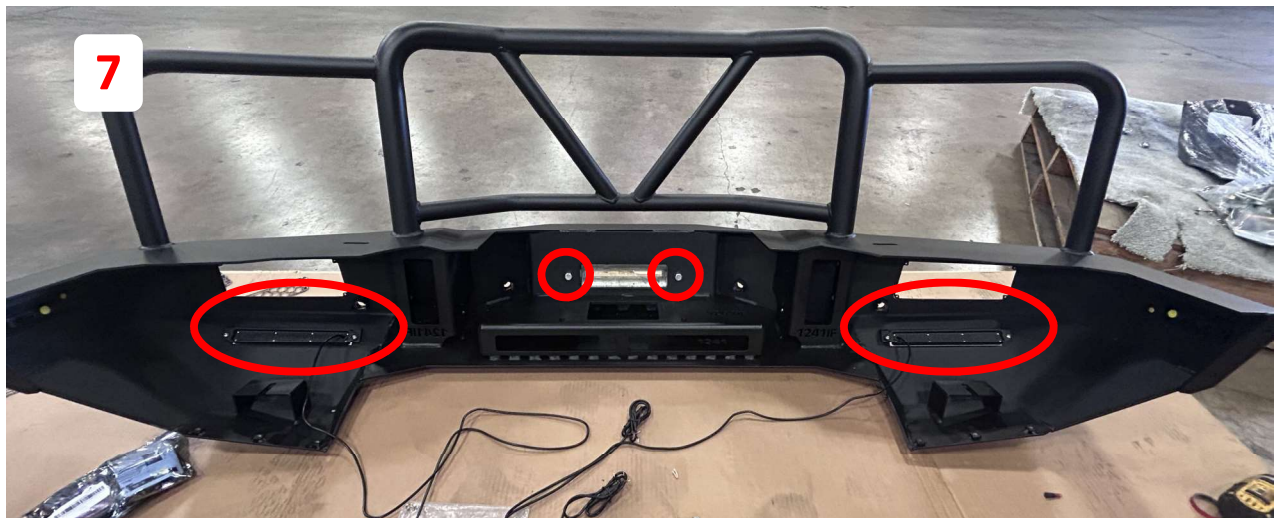
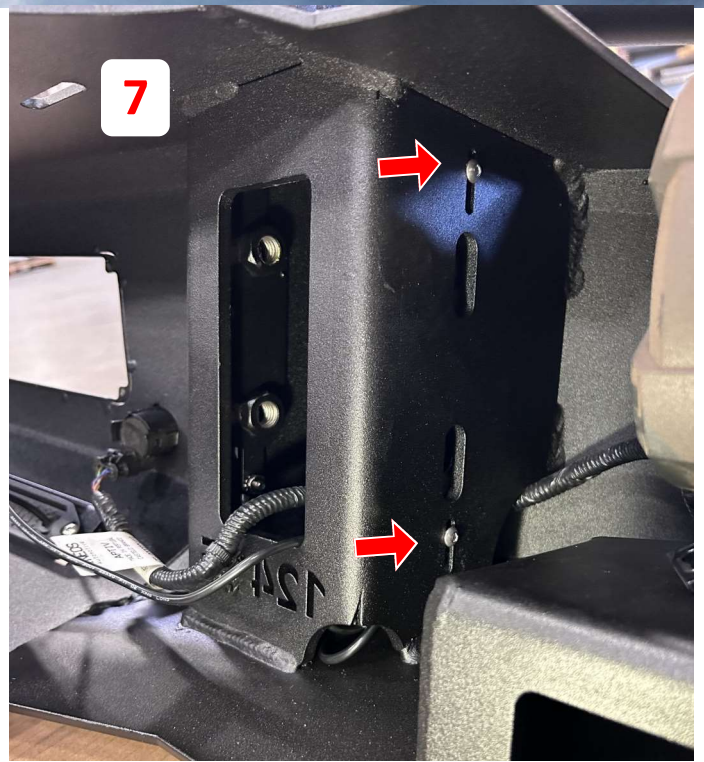
SCALE: 1:12 WEIGHT: 0.60 SHEET 1 OF 1



- 1 Remove 4 Screws, 2 on top and 2 on bottom, from each side to access Center Section Bolts.
- 2 With Plastic Covers off, Remove the 4 Screws per side. There is enough sensor wiring to take the center section off to be able to access the sensors easier.
- 3 After the Center Section and Foam Insert are off, Remove the End Pods by Removing the Inner Liner and Bolt in the Top Corner.
- 4 Remove Metal Center Section. Then Remove Skid Plate.
- 5 Remove Sensor Housings from Bumper and Install into Road Armor Bumper keeping the same orientation. Housings may need to be trimmed 1/16 as shown below.
- 6 Remove the Marker Lights from the End Pods and Transfer to New Bumper. Disconnect Wiring Harness and Run Wires Through New Bumper to Connect Sensors to their Corresponding Housings.
- 7 Install Double Nut Plates as shown below. Do not tighten as these need to be able to adjust. Install Accent Lights, Winch, and Fairlead. Install Fairlead first.

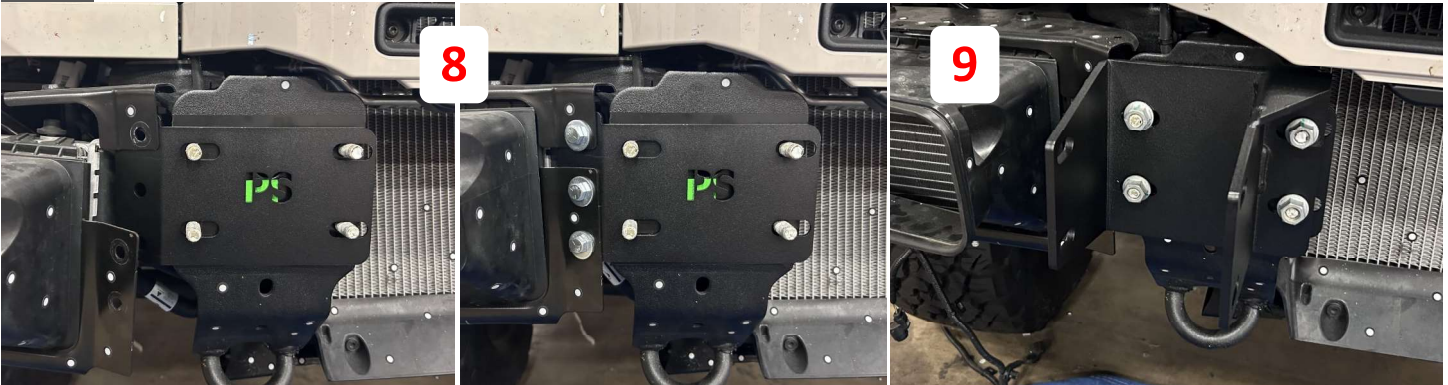








- 8 Install Intercooler Bracket as shown.
- 9 Install Frame Bracket over Intercooler Bracket as shown. Leave Finger Tight to be able to Adjust.
- 10 Measure Inside to Inside Weld In Bracket on the Bumper. Transfer Measurement to the Frame Brackets and ensure that they are centered with the Vehicle. Double check measurement and Fully tighten Bracket.
- 11 Install Front Bumper by Using Provided 1/2" Bolts with Washers and Lock Washers into the Double Nut Plates that were Installed into the Weld In Brackets. Also Mount the End Pod Intercoolers using the Factory Nuts. Adjust Fitment in and out, up and down, and tilt to liking and then Fully Tighten all Nuts and Bolts.



- 12 Install Skid Plate Using Factory Bolts. Plug in all Harnesses. Install the Factory Inner Liners to the Bumper. Install all Mesh. If holes need to be re-tapped, use #10-24 Tap.

**Finished**





