

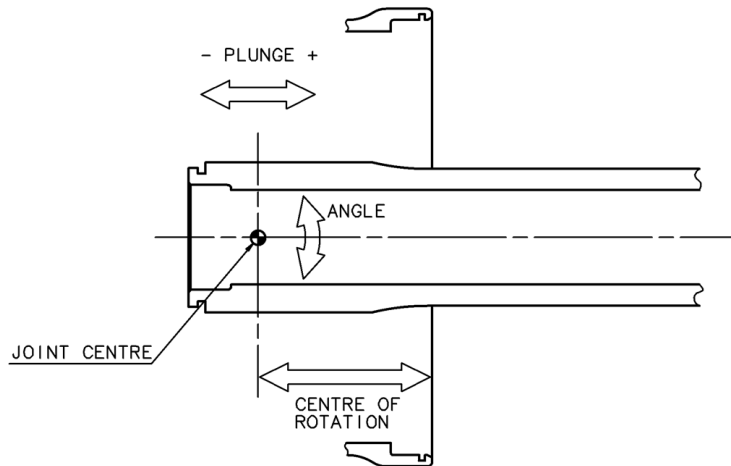
Drive Shaft Boot Spec Sheet

Name:		Company:	
Contact number:		E-mail:	
Date:		Project:	
Reason for enquiry:			
Proposed seal:			

Rubber boot design data

Application (tarmac / gravel etc):	
Fitment type (circlip / hose clamp etc):	
Breather action (yes / no):	
Grease type:	
Max temperature:	°C
Angle (max. / min. / normal):	deg
Plunge (+/-):	mm
Centre of rotation:	mm
Speed:	rpm
Grease reference diameter:	mm
Requested mileage:	

Drive Shaft Boot Spec Sheet



Optional: Alternate set-up positions

Position	Angle (max. / min. / normal)	Plunge (+/-)
Position 1		
Position 2		
Position 3		
Position 4		

Also send DXF file showing general assembly and trilobe dimensions, and describe proximity to other components.

Comments:

Your data will be kept strictly confidential at Race-Tec Sealing Ltd. Please send the data sheet by email to technical@race-tec.com